

STEREO INTEGRATED AMPLIFIER/TUNER C-V100/V150/V300/V350 SERVICE MANUAL

KENWOOD

C-V100/V150/V300/V350

CONTENTS / ACCESSORIES

© 1997-6/B51-5323-00 (K/K) 3676

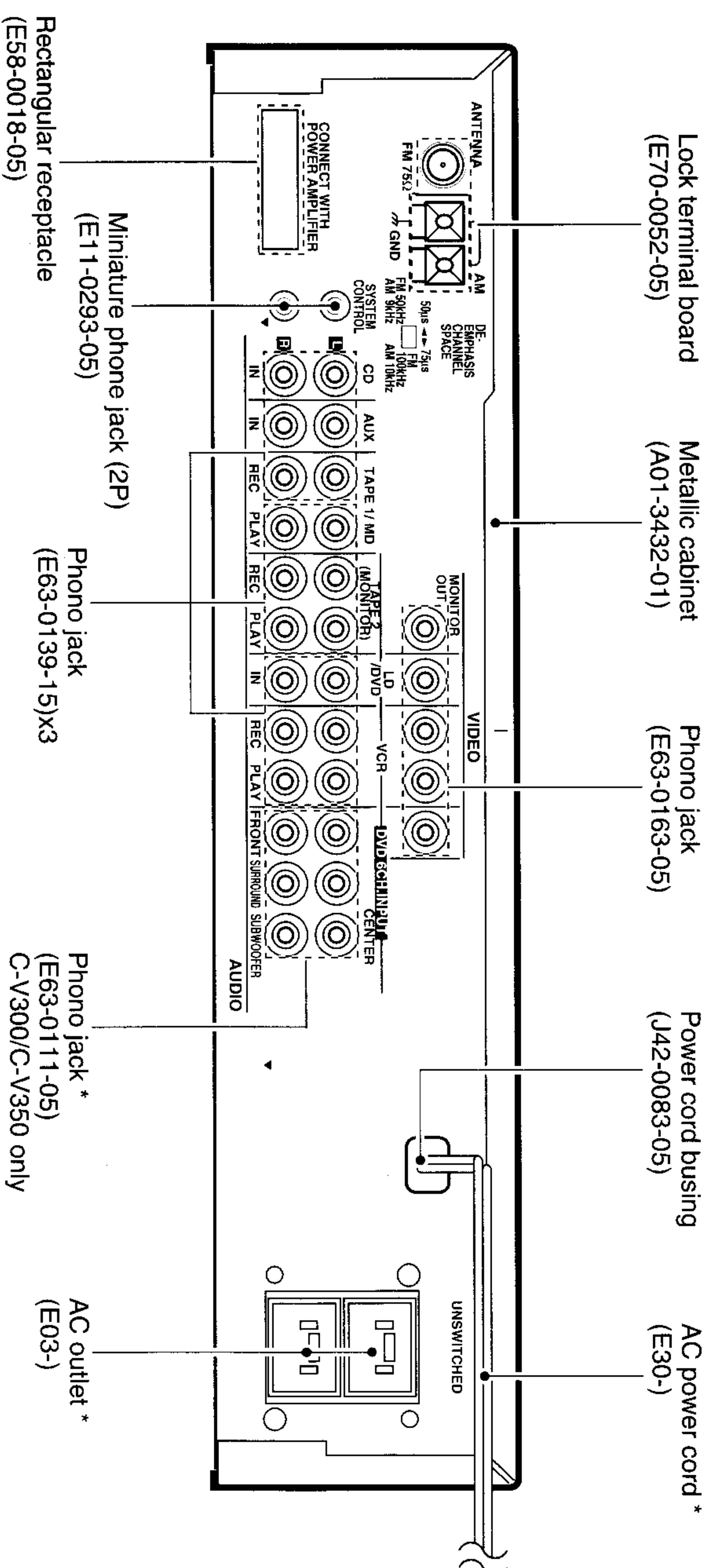
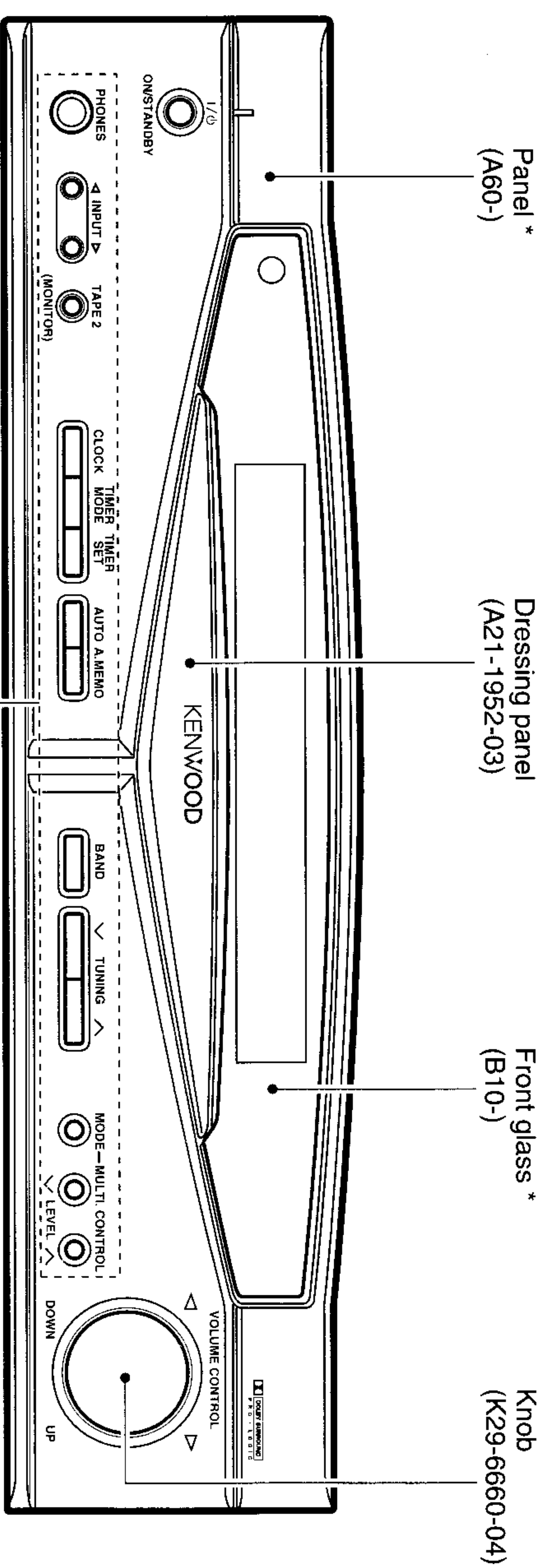


Illustration is C-V100.

* Refer to parts list on page 33.

Caution : No connection of ground line if disassemble the unit.
Please connect the ground line on rear panel, PCBs, Chassis and some others.

Contents	
CONTENTS / ACCESSORIES	2
DISASSEMBLY FOR REPAIR	3
ADJUSTMENT	4
PC BOARD	5
SCHMATIC DIAGRAM	13
EXPLODED VIEW	31
PARTS LIST	33
SPECIFICATIONS	44

How to reset the microcomputer

The microcomputer may malfunction (impossibility operation, erroneous display, etc.) when the power cord is unplugged and plugged in again while the unit is in ON mode with the Key pressed or due to other external causes. In this case execute the procedure on the right to reset the microcomputer and return the unit to the normal condition.

- ① Unplug the power cord from the wall outlet.
- ② While pressing and holding the POWER or (ON/STANDBY)key, plug the AC cord into the wall outlet again

* Resetting the microcomputer clears the memory you entered and returns it to the initial condition when the unit left the factory.

Accessories (C-V100/300)

<p>FM indoor antenna(1) (T90-0809-05): MICK type (T90-0810-05): KPY type</p>	<p>AM loop antenna(1) (T90-0820-05)</p>	<p>Loop antenna stand(1)</p>	<p>Remote control unit(1) * (C-V100) (Except U.S.A. and Canada)</p>	<p>Cable tidy(2) (F07-0102-04)</p>
<p>Graphical Remote Control unit(1) * (C-V300) (C-V100, only U.S.A. and Canada)</p>	<p>Batteries(R03/AAA) (4) (C-V300) (C-V100, only U.S.A. and Canada)</p>	<p>* AC plug adapter (1) (E03-0115-05)</p>	<p>Batteries(R6/AA) (2) (C-V100) (Except U.S.A. and Canada)</p>	

* Use to adapt the plug on the power cord to the shape of the wall outlet. (Accessory only for regions where use is necessary)

(C-V150/350)

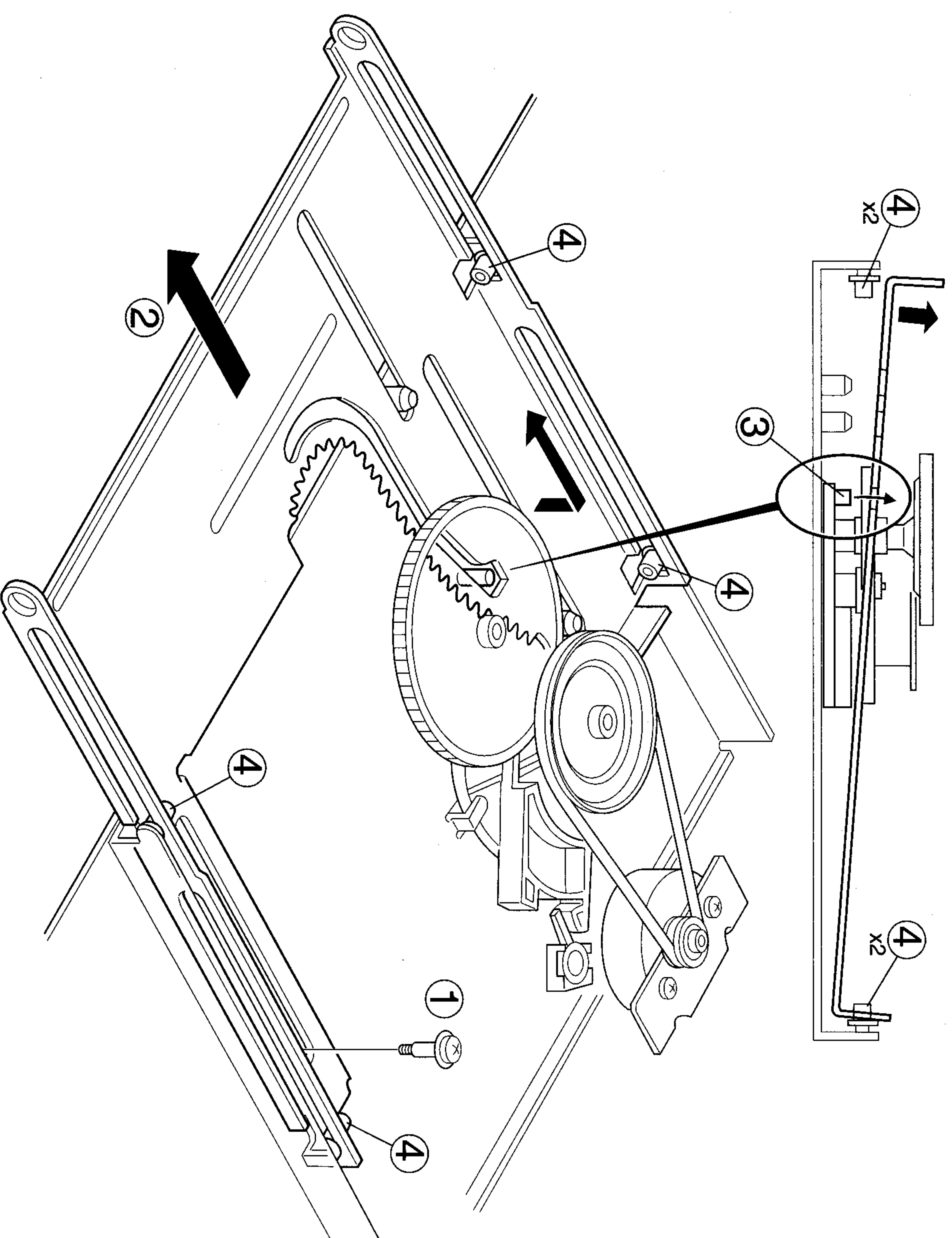
<p>FM indoor antenna(1) (T90-0809-05): MICK type (T90-0810-05): ET type</p>	<p>AM loop antenna(1) (T90-0820-05)</p>	<p>Loop antenna stand(1)</p>	<p>Graphical Remote Control unit(1) * (C-V350) (Optional with the C-V150)</p>	<p>Cable tidy(2) (F07-0102-04)</p>
<p>Remote control unit(1) * (C-V150)</p>	<p>Batteries(R03/AAA) (4) (C-V350)</p>	<p>Microphone(1) (M01-0935-05)</p>	<p>Batteries(R6/AA) (2) (C-V150)</p>	

* Refer to parts list on page 33.

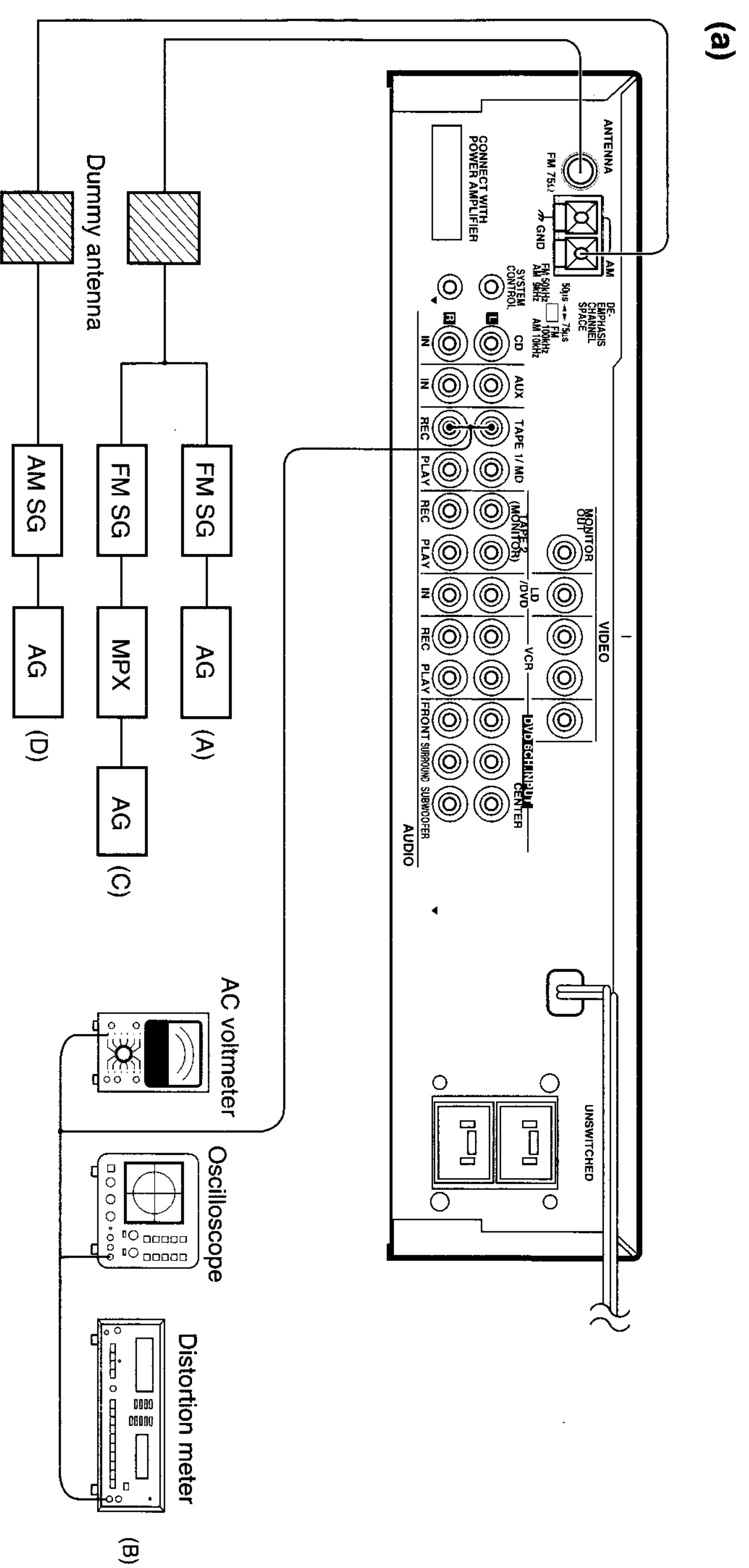
C-V100/V150/V300/V350 DISASSEMBLY FOR REPAIR

C-V100/V150/V300/V350 ADJUSTMENT

1. Remove the 1 screw (1), Then pull the slider (2) till last
2. While raise the slider of left side, remove the slider from the bosses (3,4)



No.	ITEM	INPUT SETTING	OUTPUT SELECTOR	TUNER/AMP SETTING	ALIGNMENT POINTS	ALIGN FOR	FIG.
SELECTOR : FM							
1	DISCRIMINATOR L31 ↔ L32 (E, T only)	(A) 98.0MHz 1kHz, ±40kHz dev (E, T type) 60dBu (ANT INPUT)	Connect a DC voltmeter between port of CN2 (B)	AUTO 98.0MHz	L31 (X05-) L32 (X05-)	0V Minimum distortion	(a)
2	DISTORTION (STEREO)	(C) 98.0MHz 1kHz, ±40kHz dev pilot: ±6kHz dev 60dBu (ANT INPUT)	(B)	AUTO (98.0MHz)	IFT (W02-)	Minimum distortion	(a)

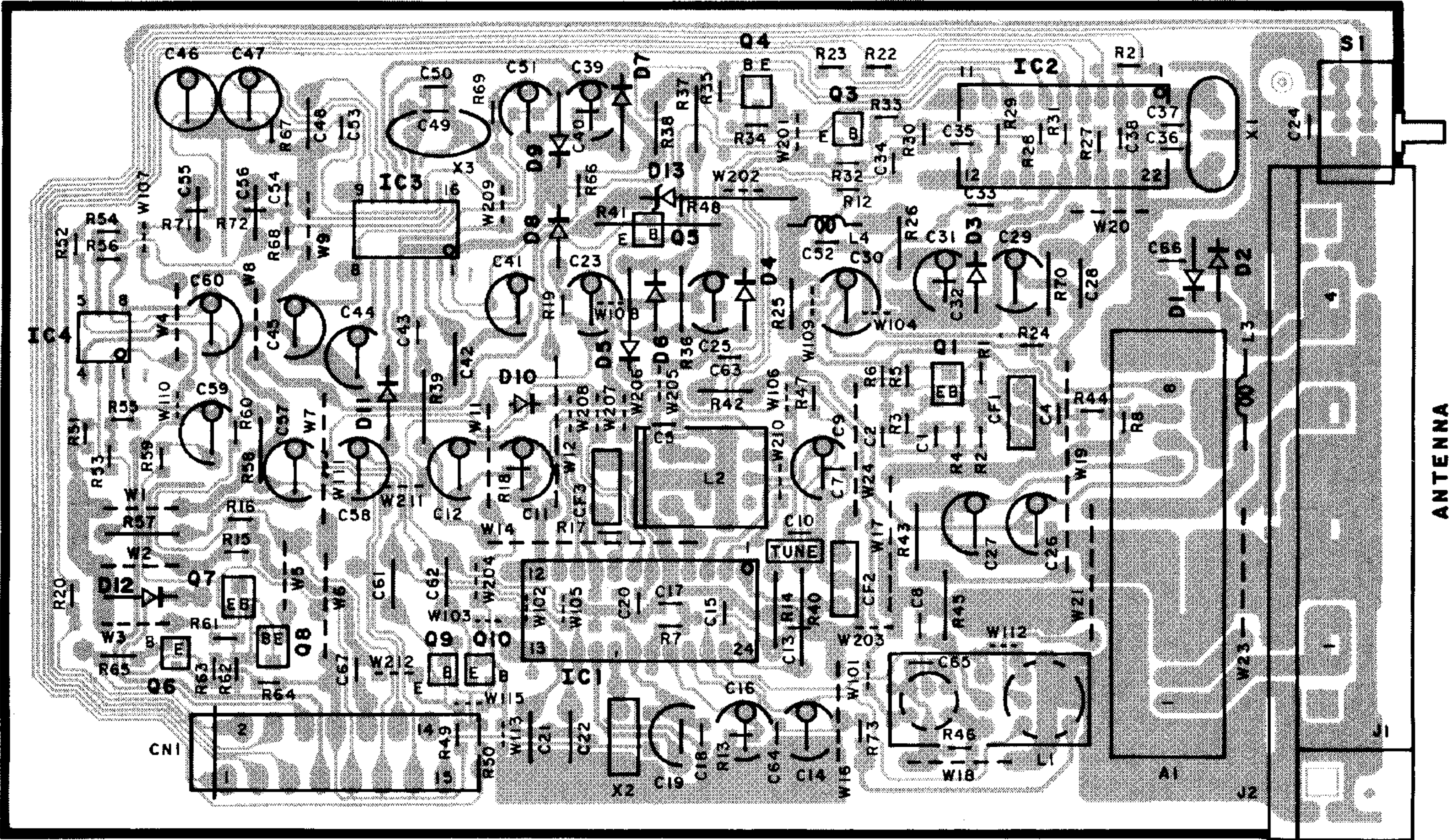


ERROR MESSAGE

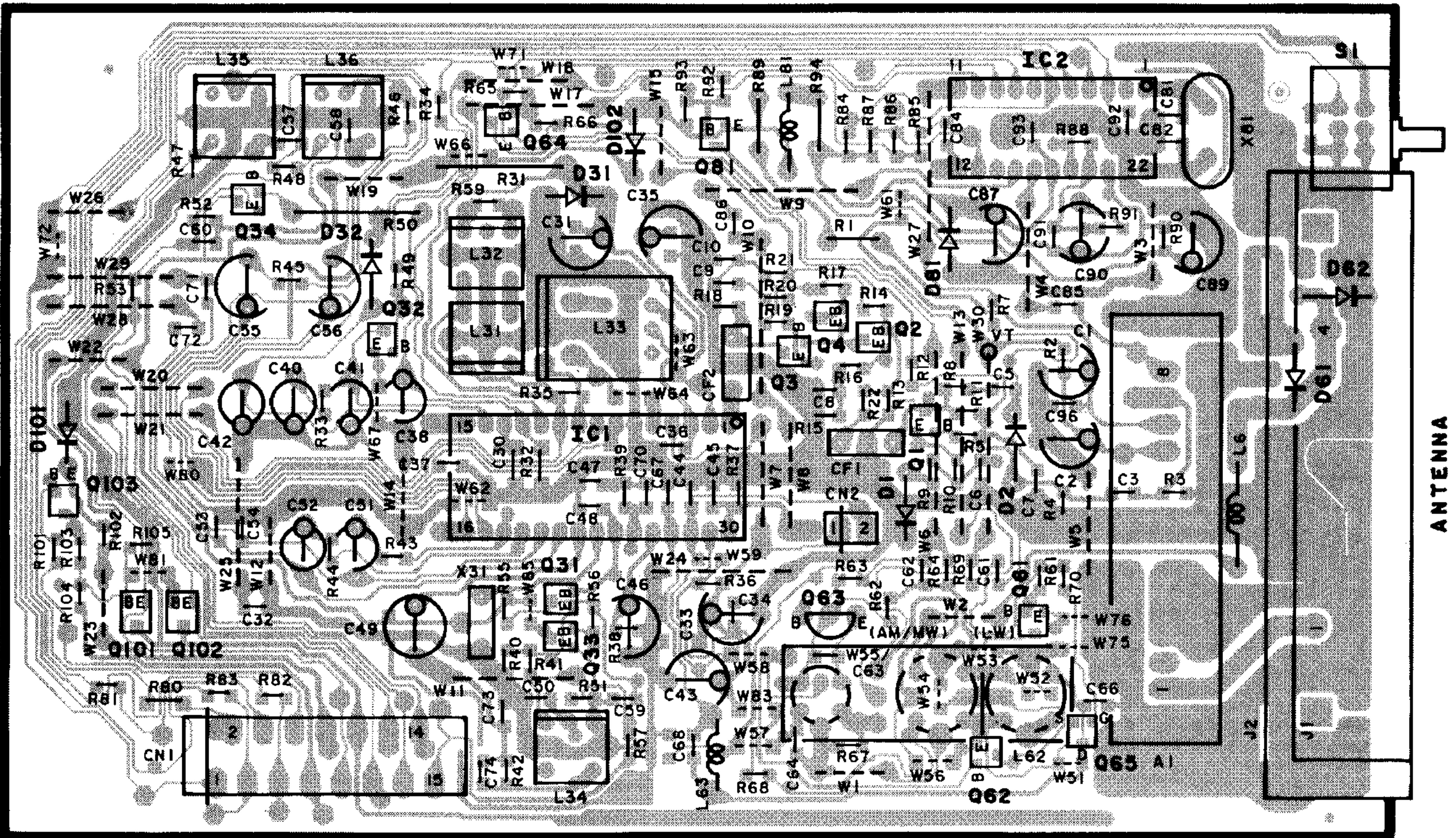
DISPLAY	DESCRIPTION
ERR 1	Main u-com sub clock no output
ERR 2	Main u-com sub clock frequency NG

PC BOARD (Component side view)

(X05-4670-20) J70-0959-11

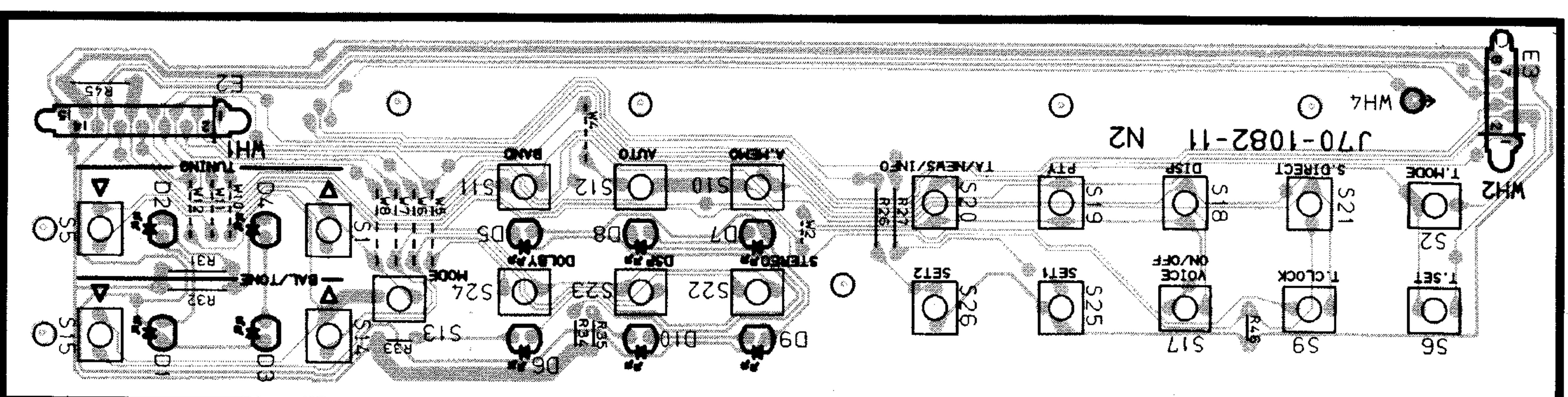
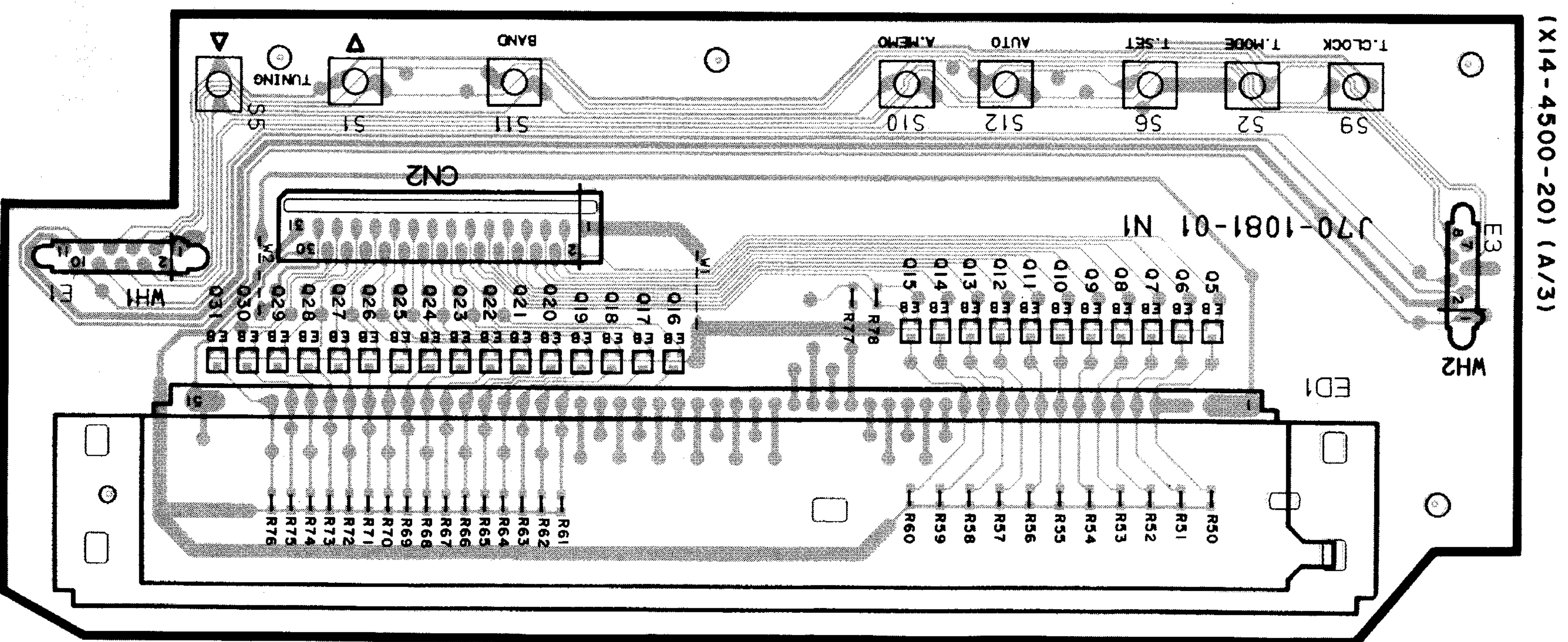
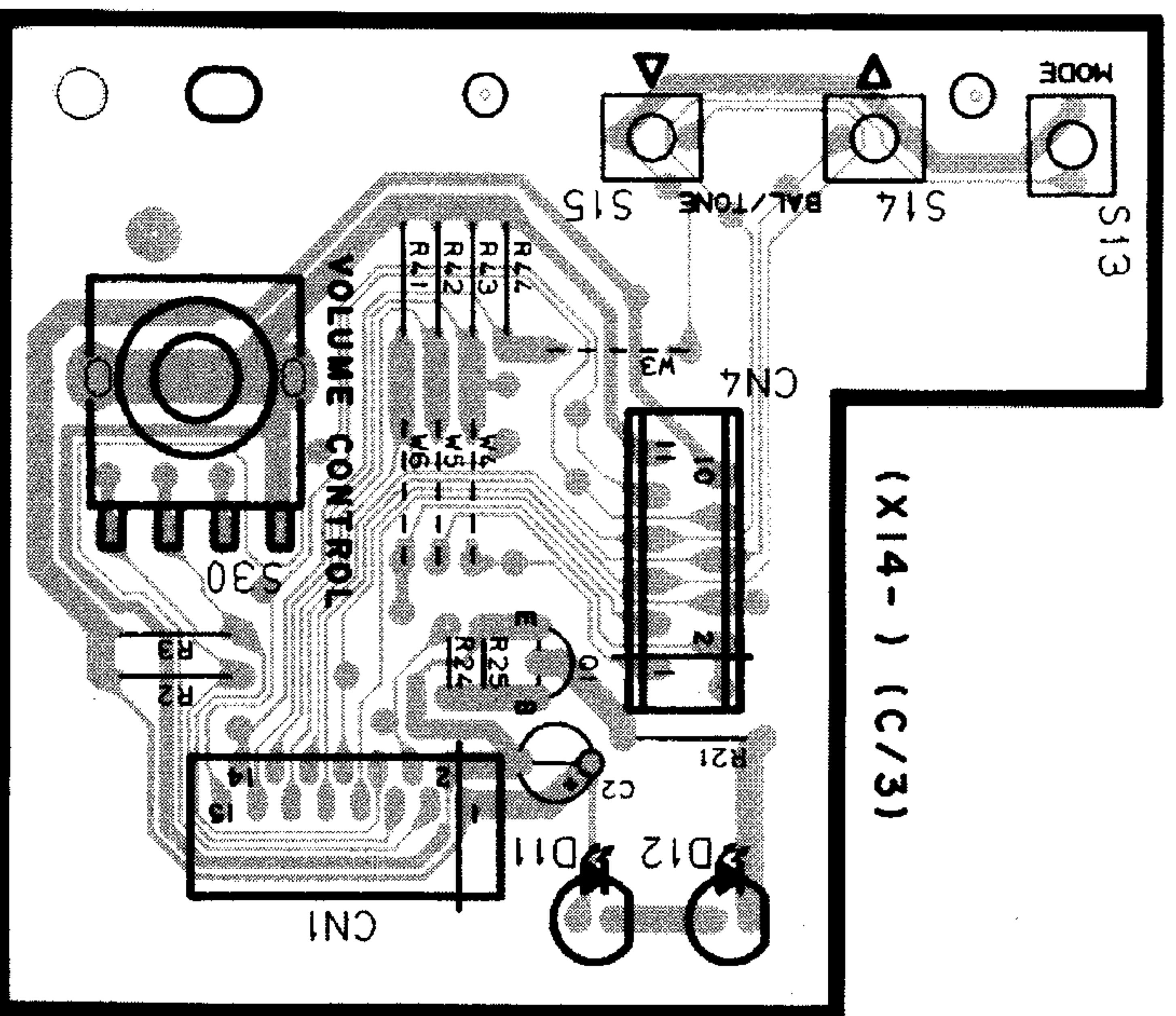
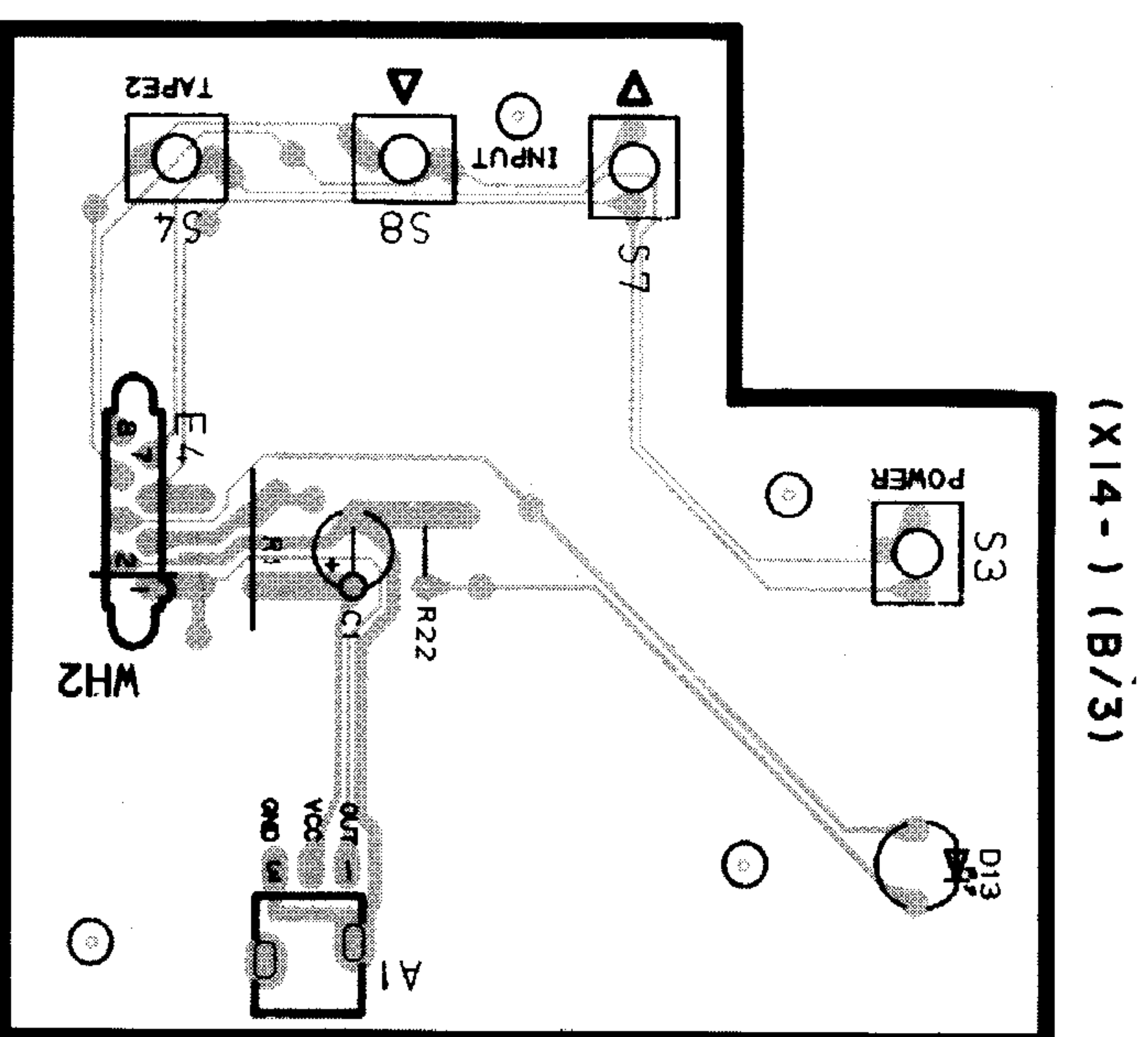


(X05-468X-XX) J70-0960-21

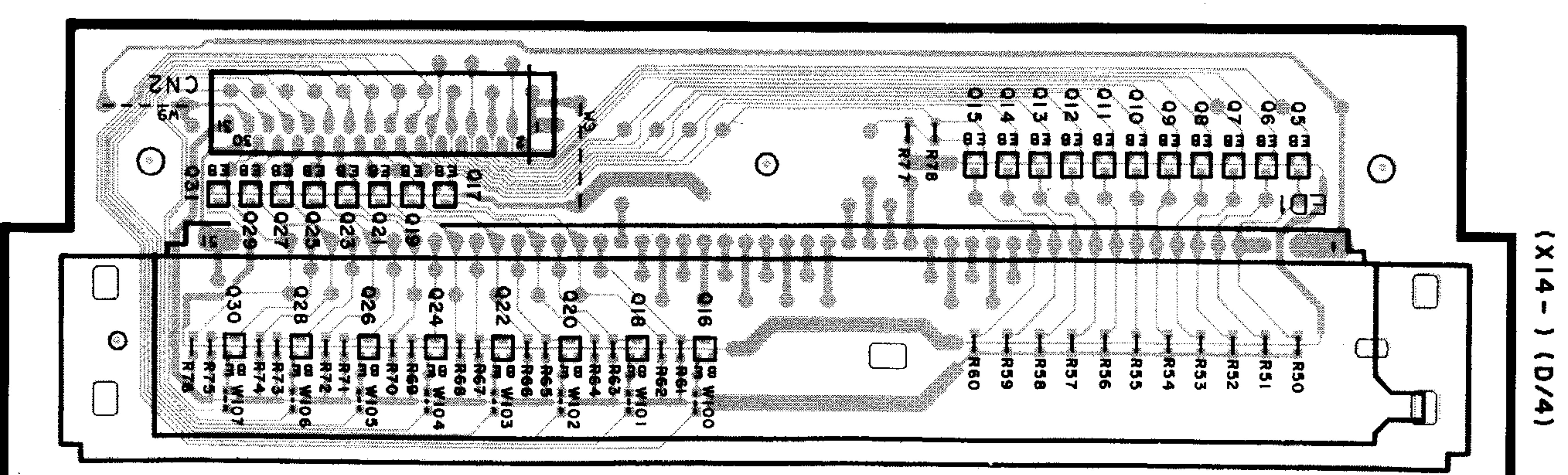
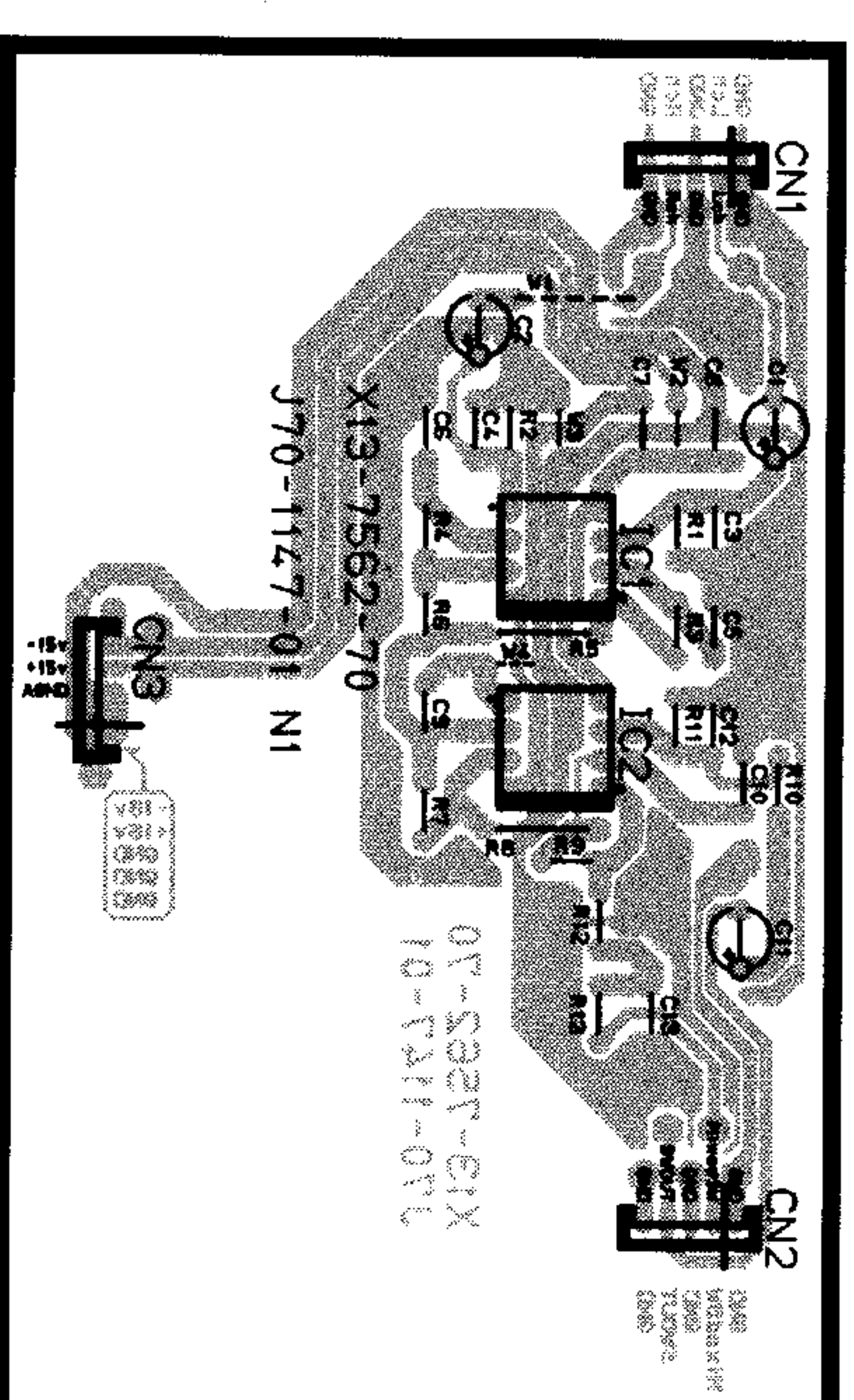
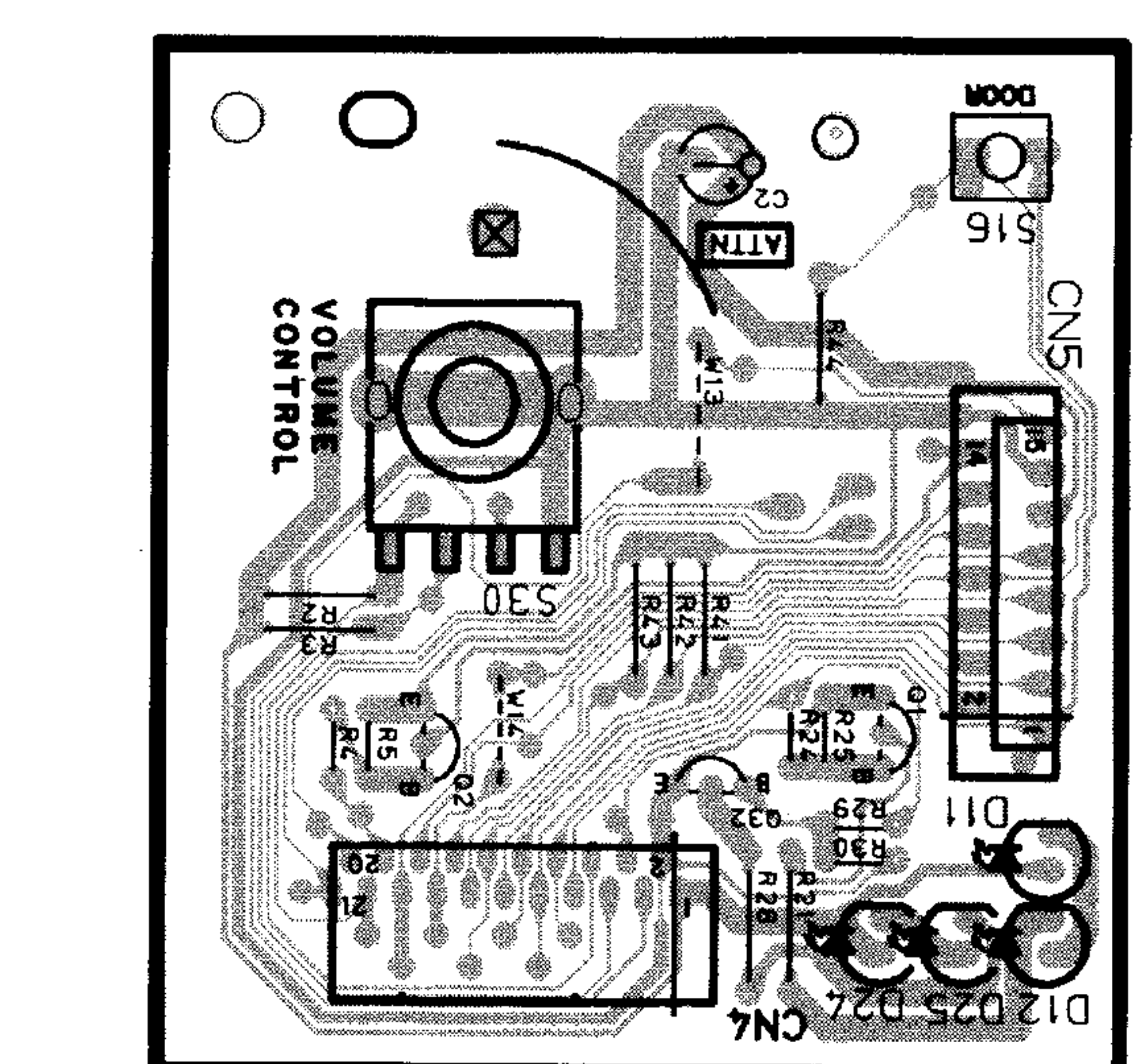
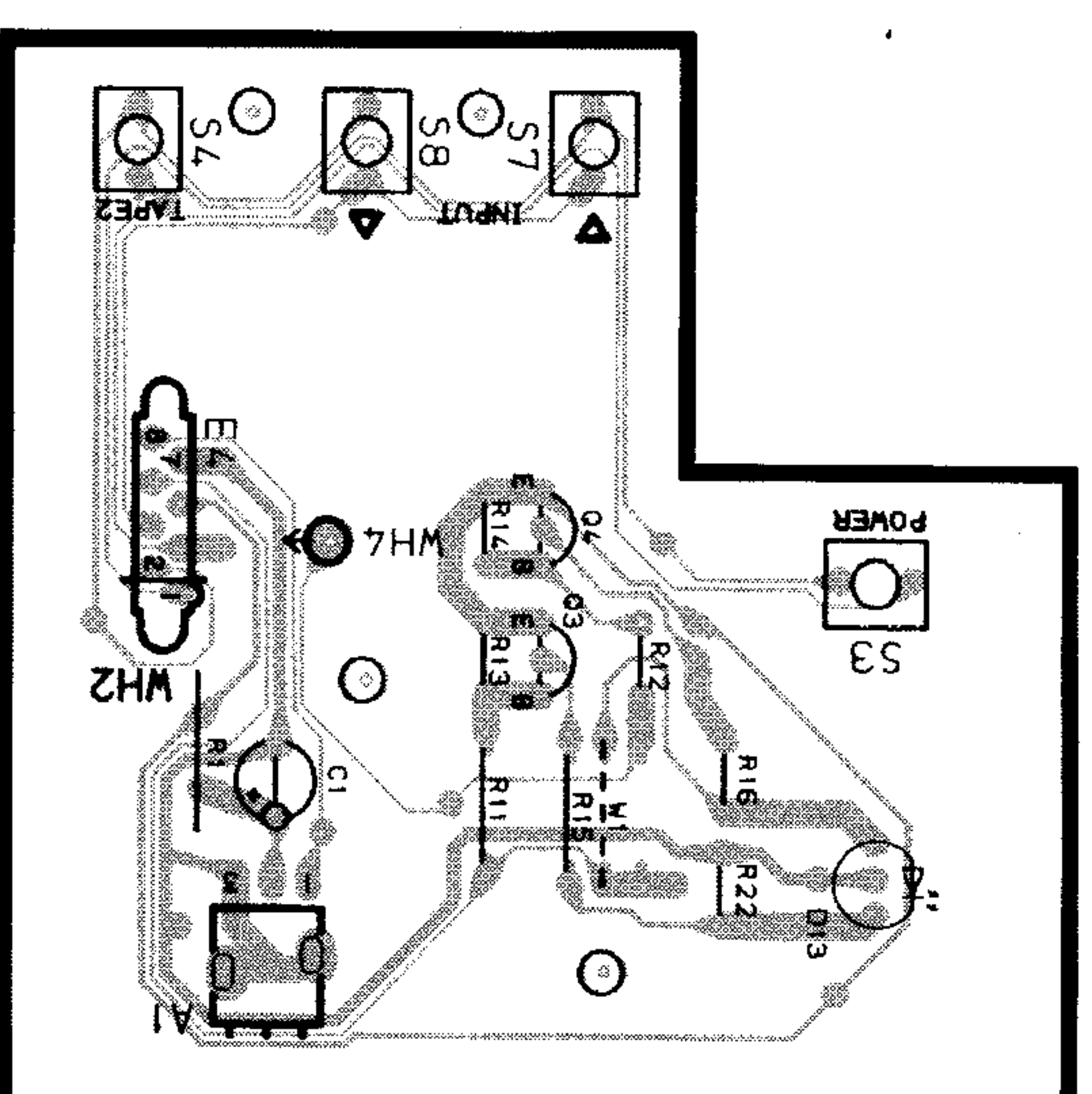


Refer to the schematic diagram for the value of resistors and capacitors.

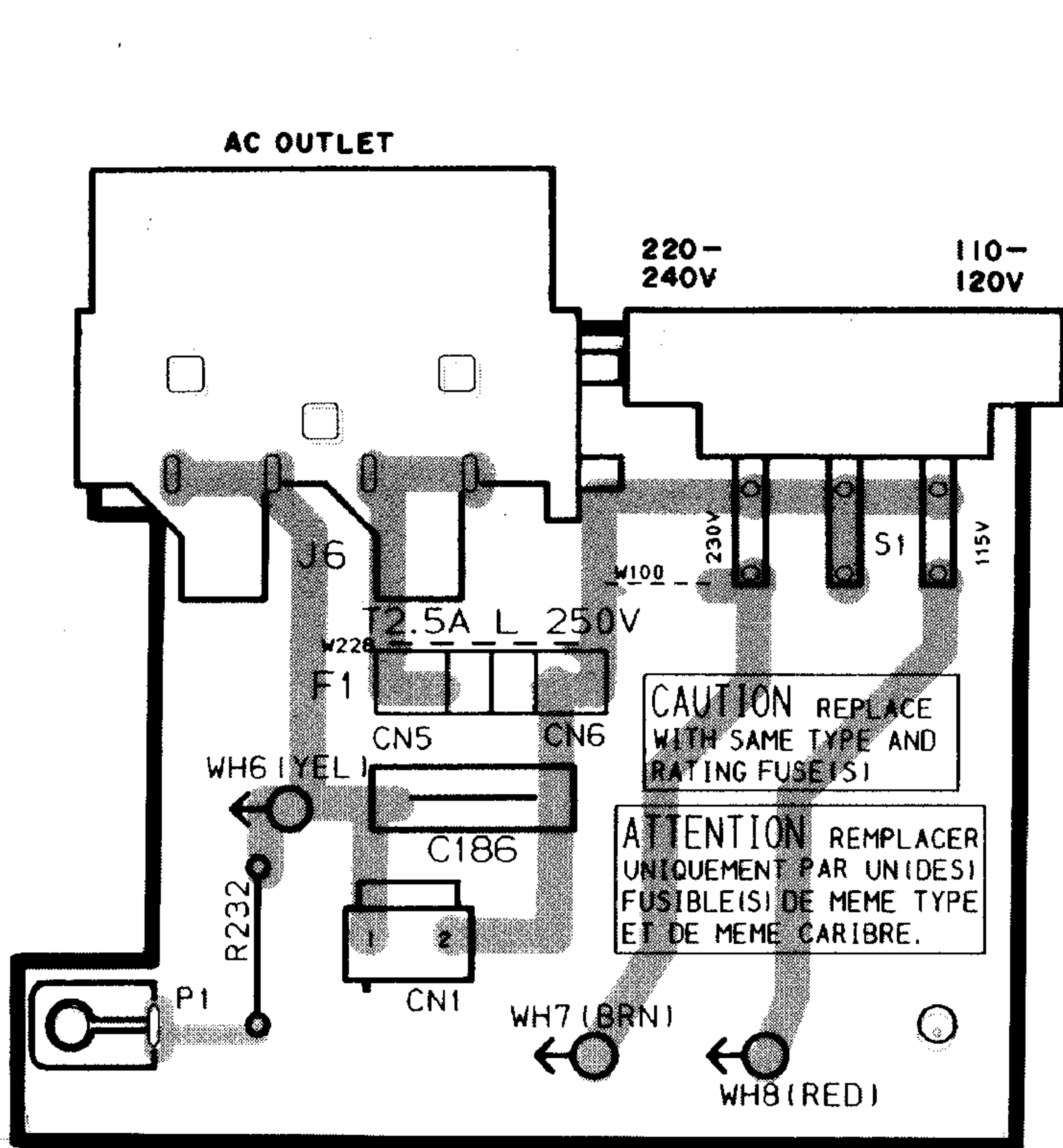
PC BOARD(Component side view)



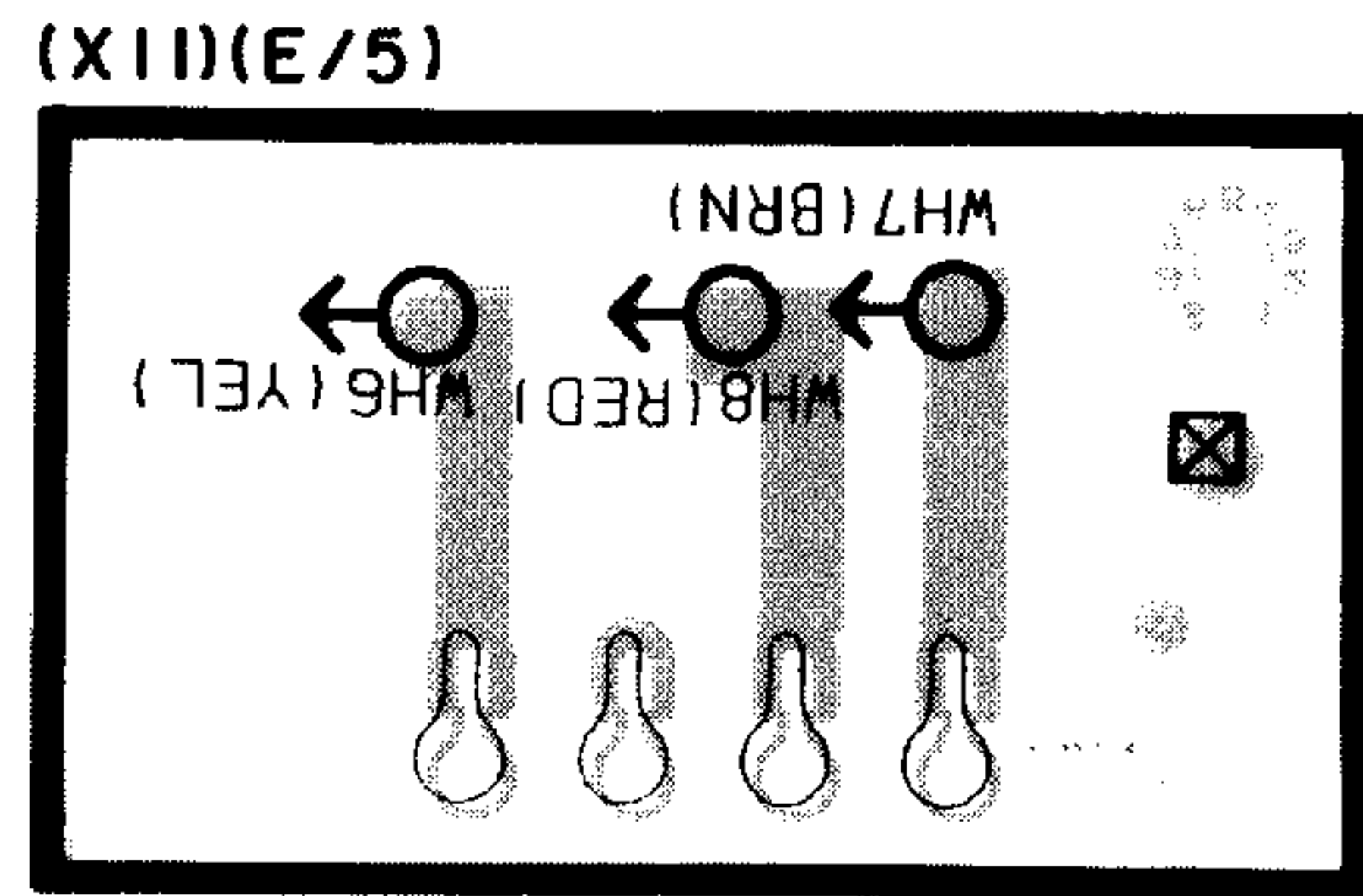
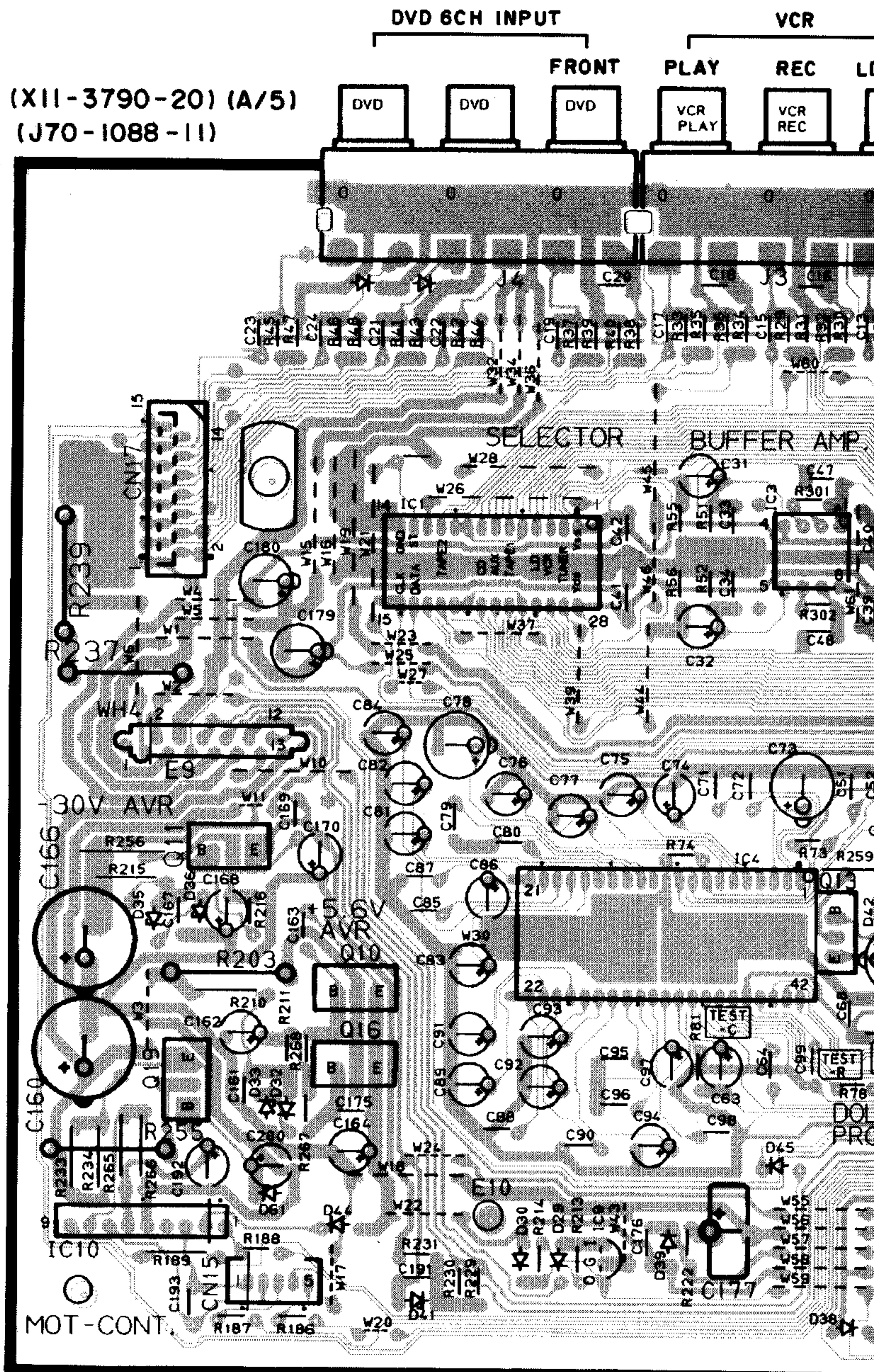
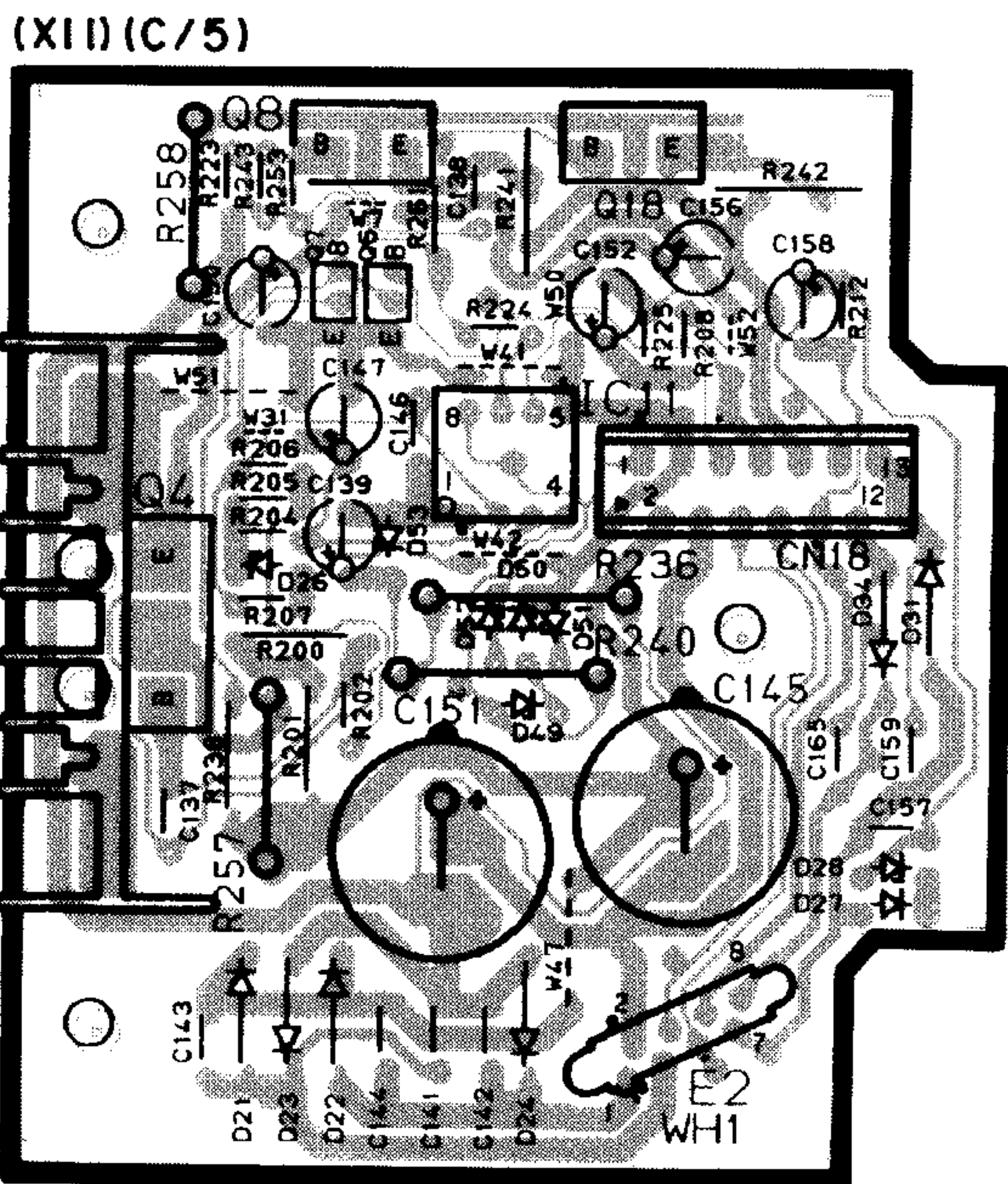
(X14-4510-20) (A/4)

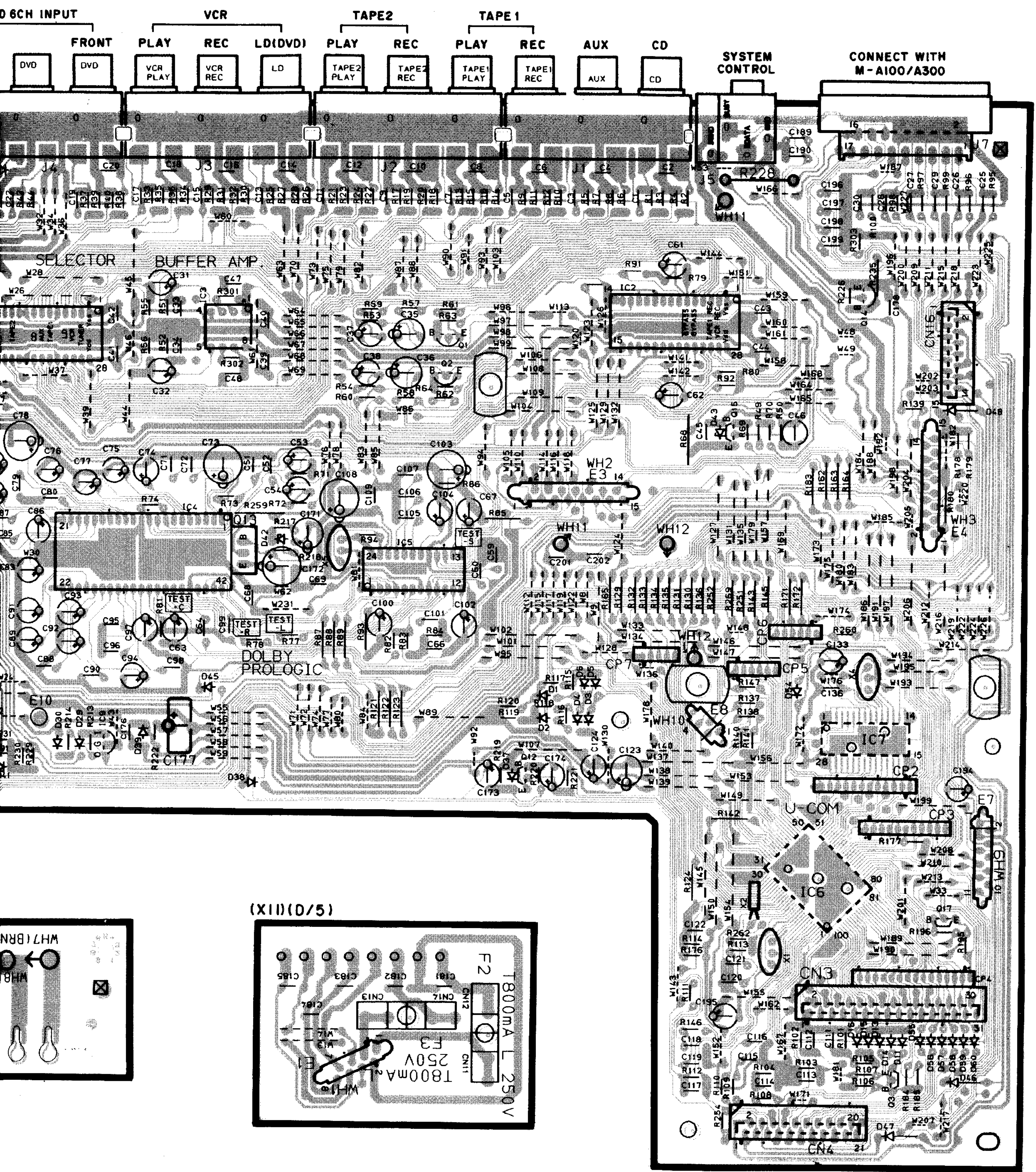


PC BOARD(Component side view)

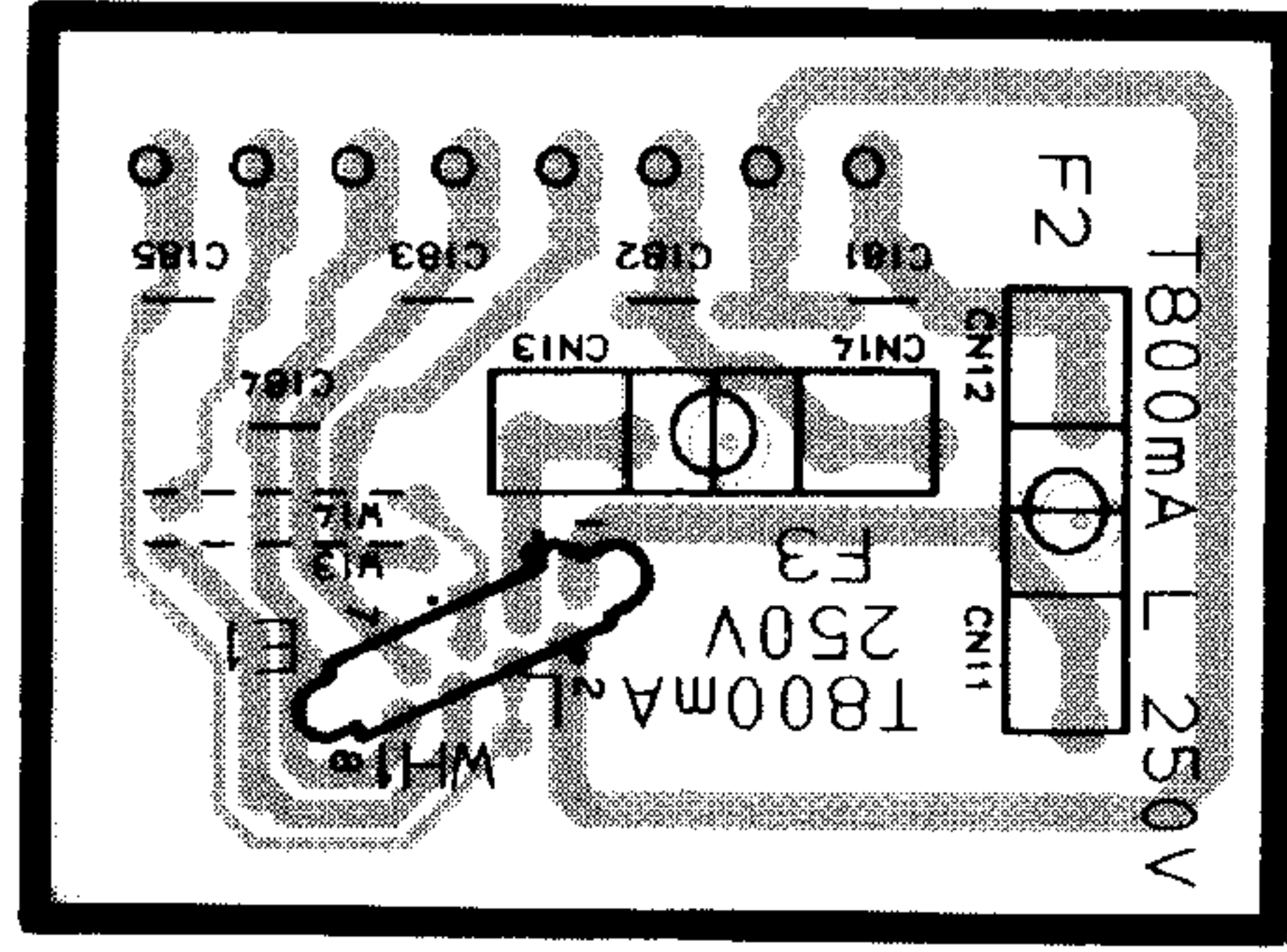
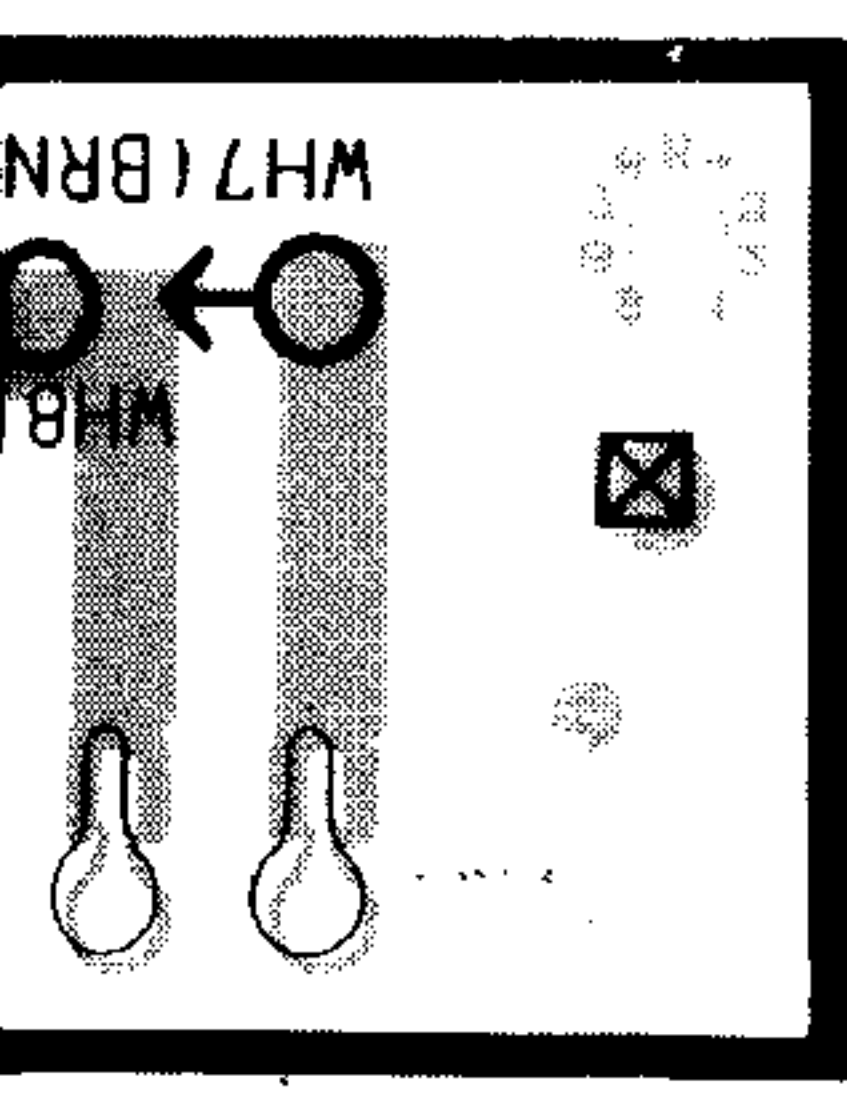


(XII)(B/5)



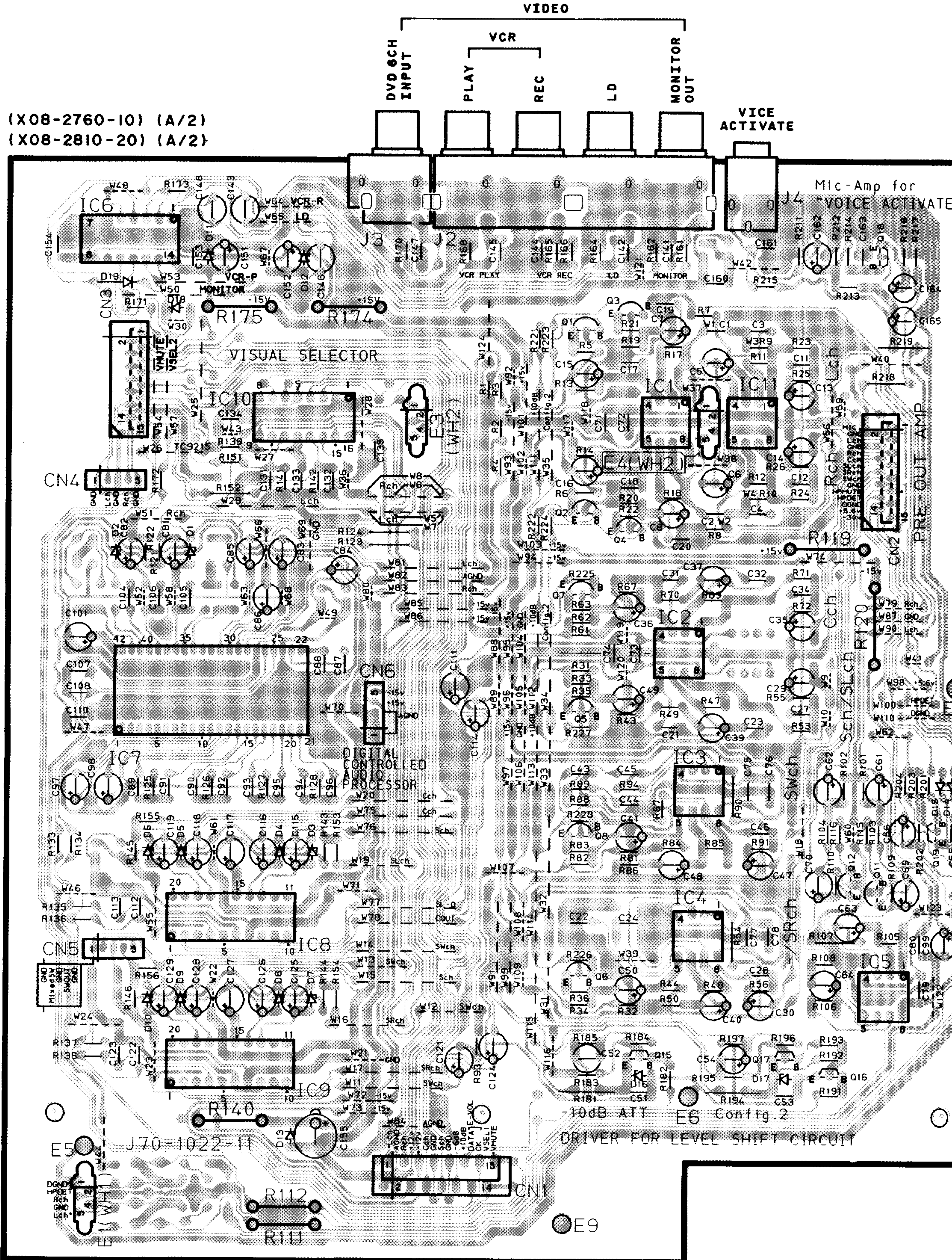


(X11)(D/5)

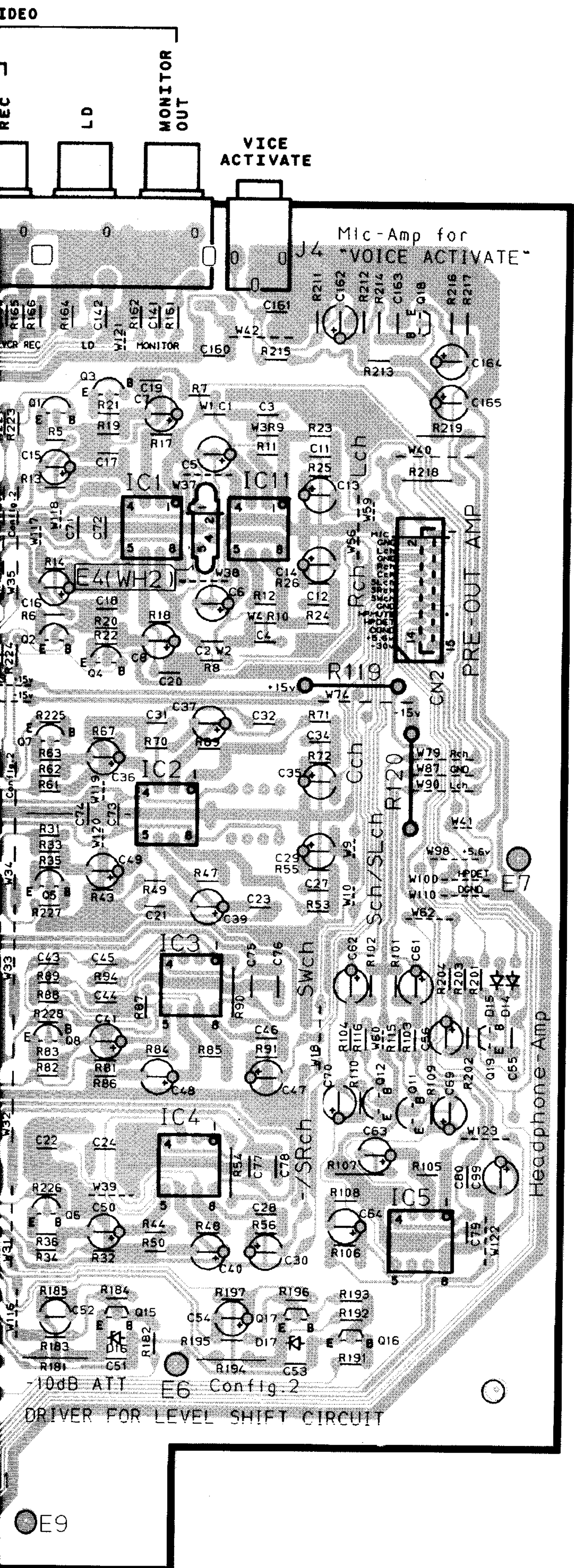


PC BOARD(Component side view)

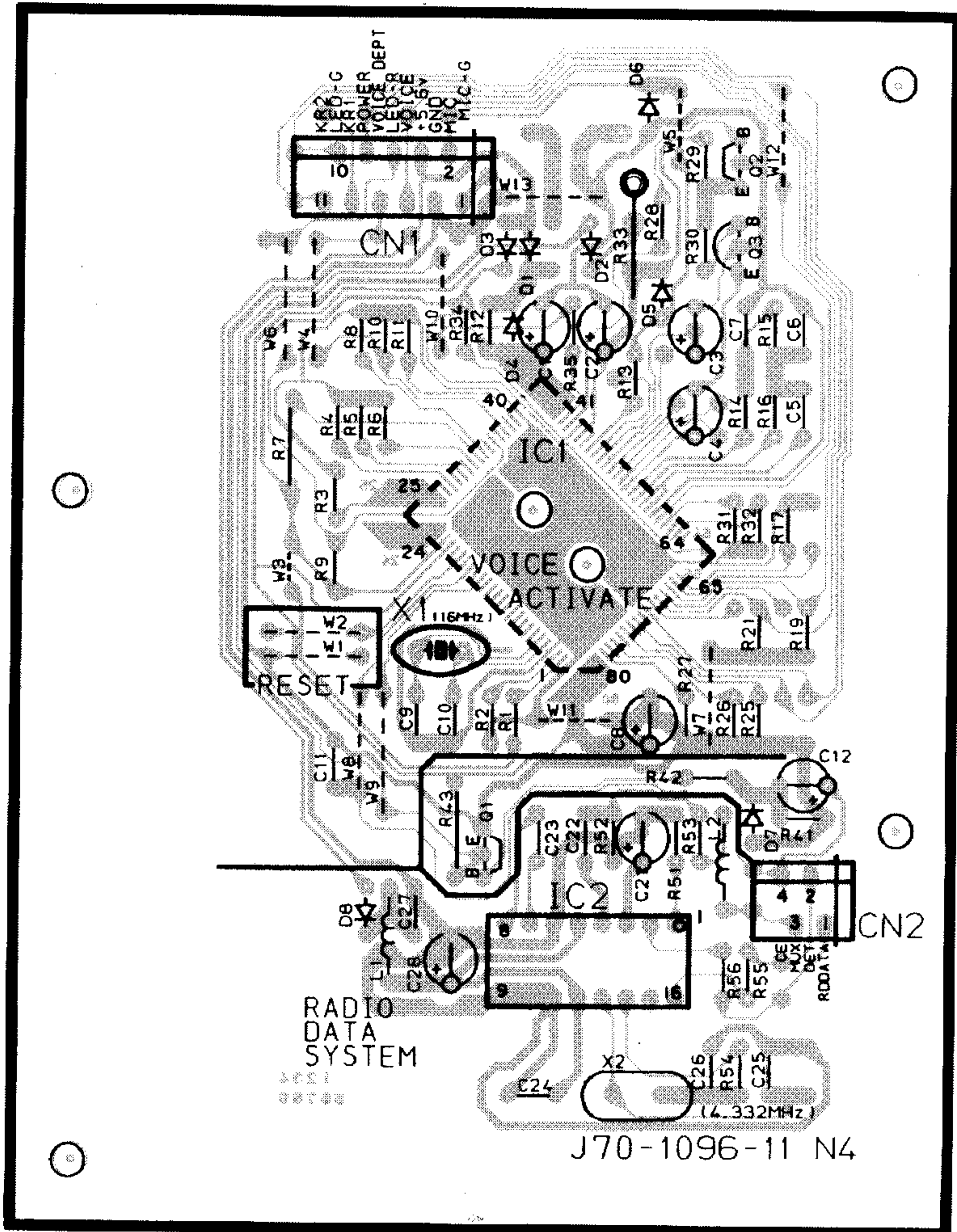
(X08-2760-10) (A/2)
(X08-2810-20) (A/2)



Refer to the schematic diagram for the value of resistors and capacitors.

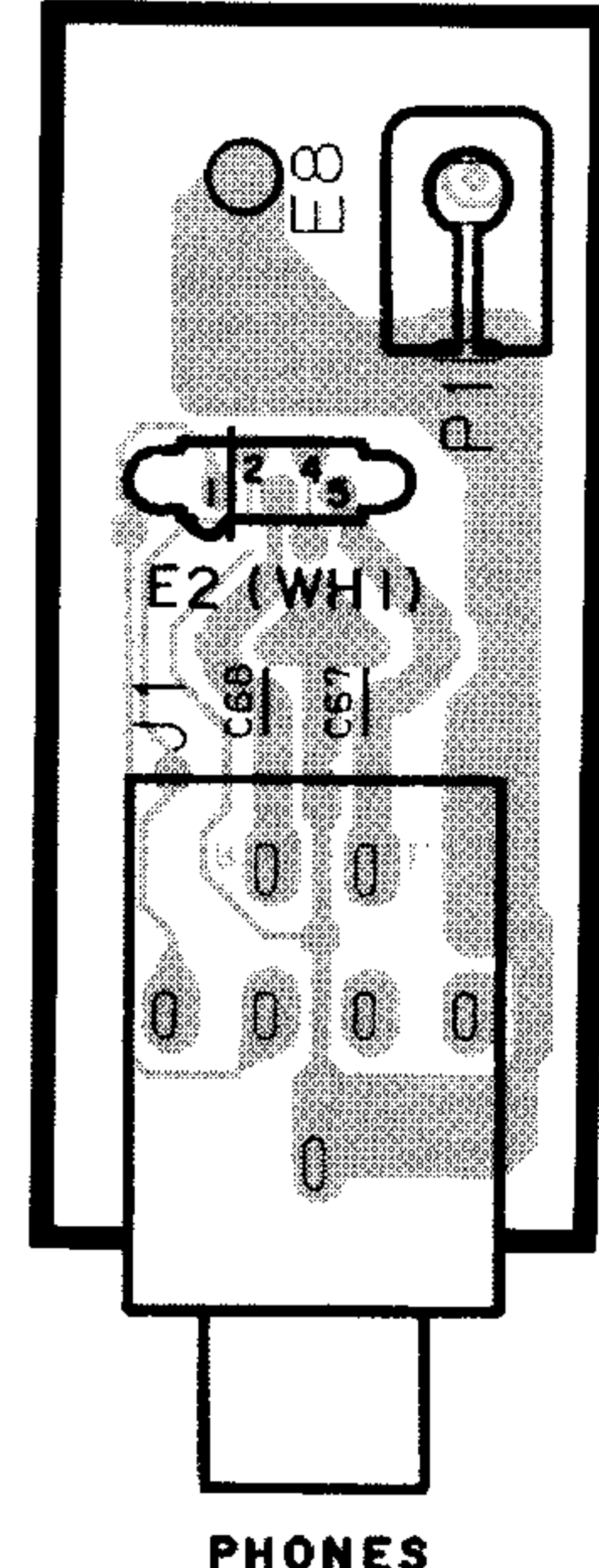


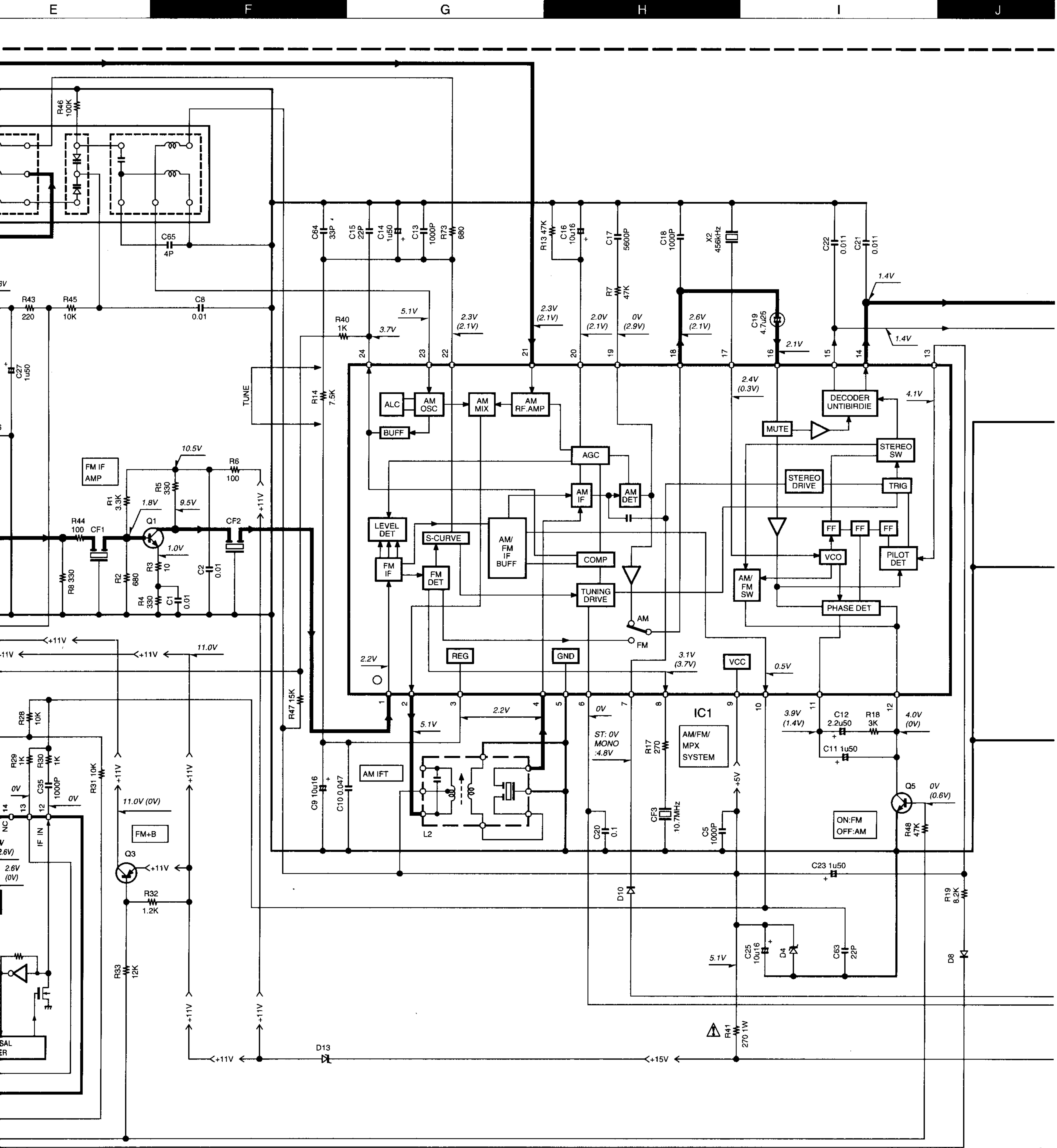
(X13-7522-70)



J70-1096-11 N4

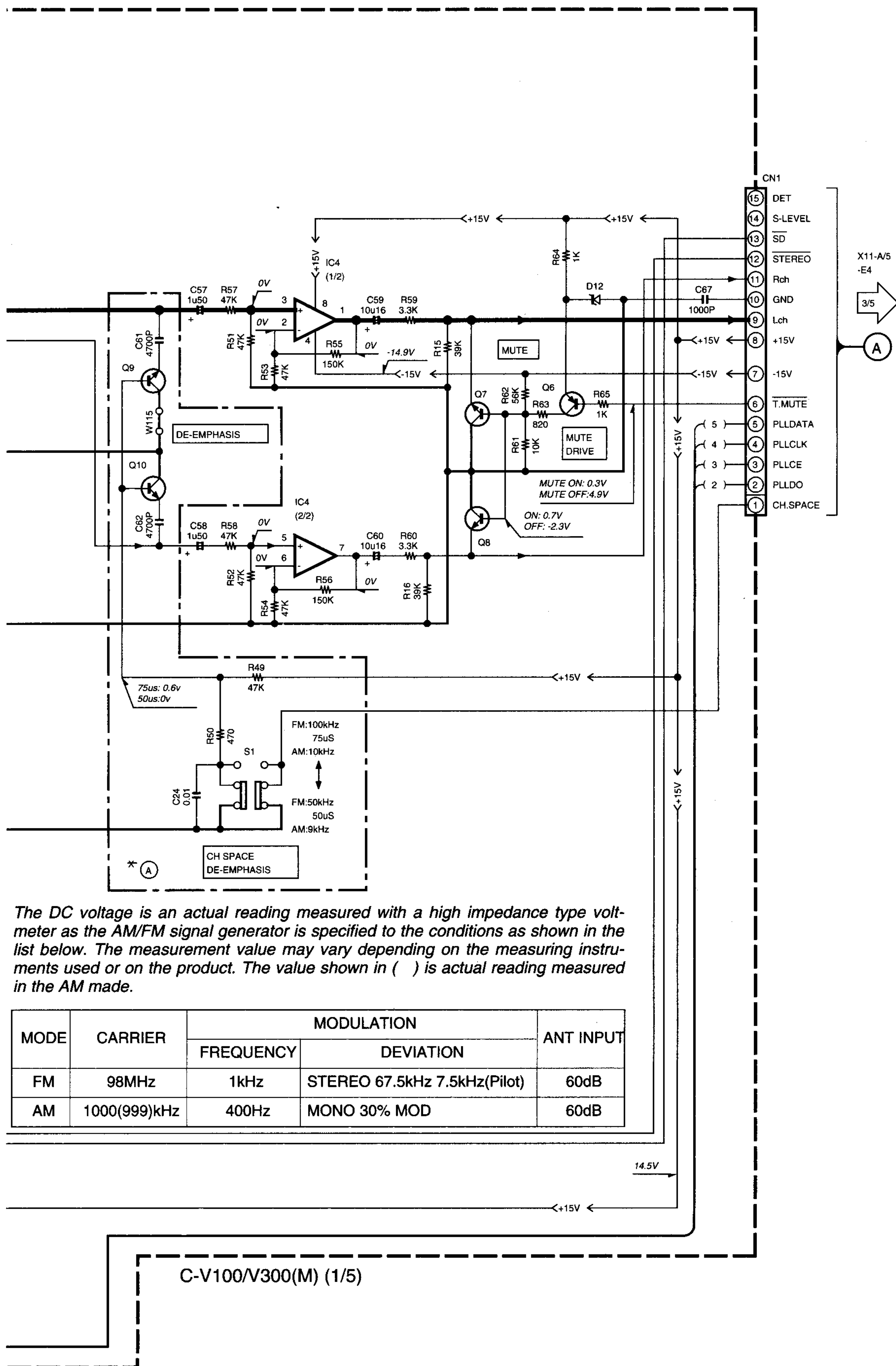
(X08-) (B/2)





- SIGNAL LINE
- GND LINE
- +B LINE
- -B LINE

CAUTION: For continued safety, replace safety critical components only with manufacturer's recommended parts (refer to parts list). Δ indicates safety critical components. For continued protection against risk of fire, replace only with same type and rating fuse(s). To reduce the risk of electric shock, leakage-current or resistance measurements shall be carried out (exposed parts are acceptably insulated from the supply circuit) before the appliance is returned to the customer.



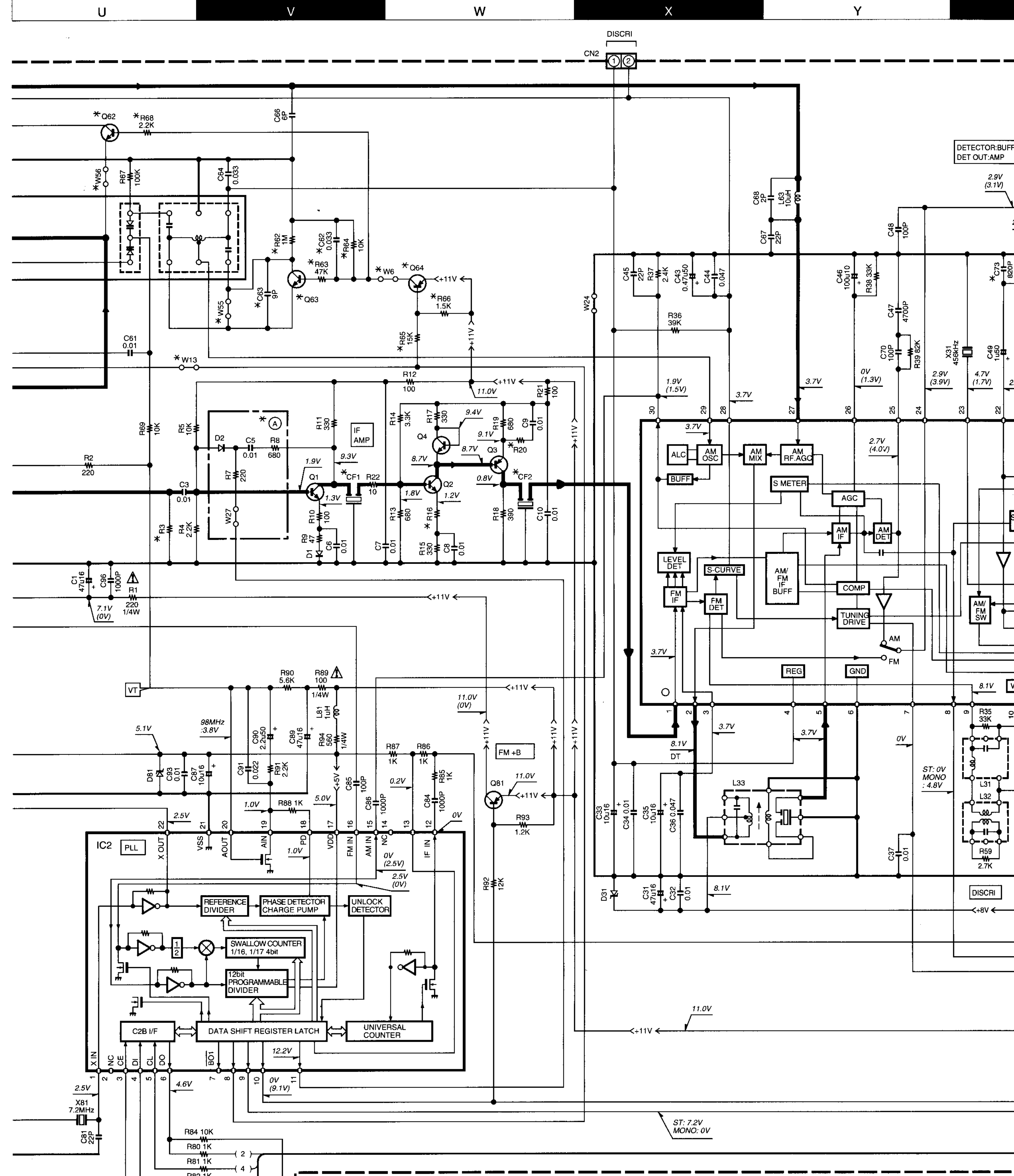
The DC voltage is an actual reading measured with a high impedance type voltmeter as the AM/FM signal generator is specified to the conditions as shown in the list below. The measurement value may vary depending on the measuring instruments used or on the product. The value shown in () is actual reading measured in the AM made.

MODE	CARRIER	MODULATION		ANT INPUT
		FREQUENCY	DEVIATION	
FM	98MHz	1kHz	STEREO 67.5kHz 7.5kHz(Pilot)	60dB
AM	1000(999)kHz	400Hz	MONO 30% MOD	60dB

C-V100/V150/V300/V350

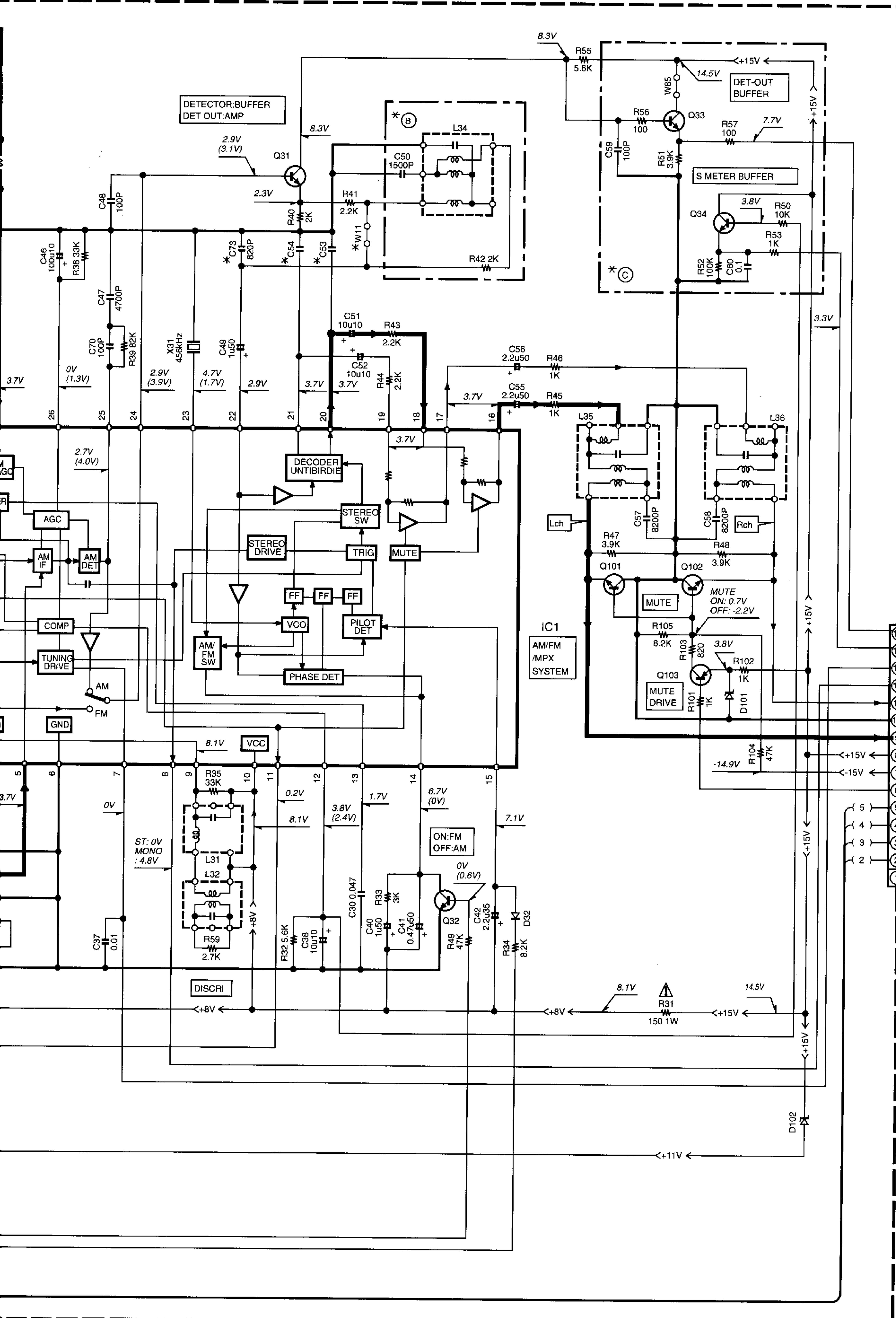
Y05-3370-10

KENWOOD



The DC voltage is an actual reading measured with a high impedance type voltmeter as the AM/FM signal generator is specified to the conditions as shown in the list below. The measurement value may vary depending on the measuring instruments used or on the product. The value shown in () is actual reading measured in the AM mode.

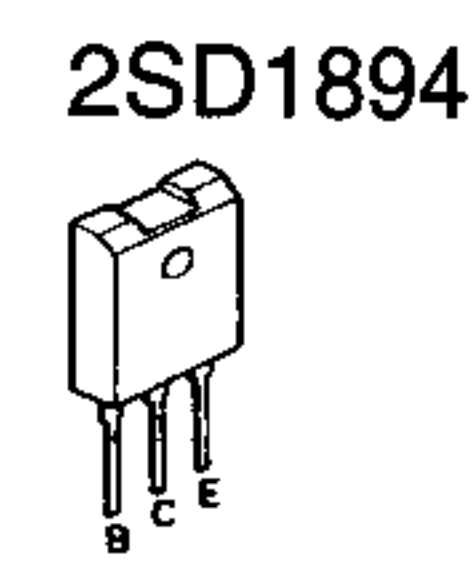
MODE	CARRIER	MODULATION	
		FREQUENCY	
FM	98MHz	1kHz	STEREO
AM	1000(999)kHz	400Hz	MONO 30



CAUTION: For continued safety, replace safety critical components only with manufacturer's recommended parts (refer to parts list). Δ indicates safety critical components. For continued protection against risk of fire, replace only with same type and rating fuse(s). To reduce the risk of electric shock, leakage-current or resistance measurements shall be carried out (exposed parts are acceptably insulated from the supply circuit) before the appliance is returned to the customer.

The DC voltage is an actual reading measured with a high impedance type voltmeter with no signal input. The measurement value may vary depending on the measuring instruments used or on the product.

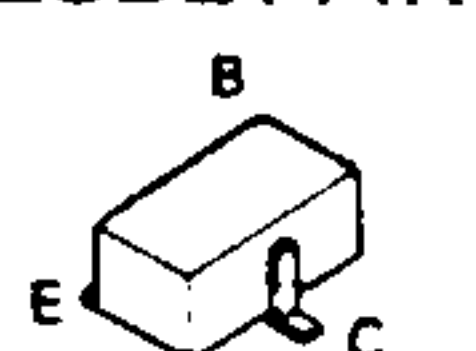
- 2SC2003
 - 2SC2878
 - 2SC3246
-



- 2SA1175
 - 2SC2785
-

- DTC124ESA
 - 2SA1048
 - 2SC1740
 - S2SC2458
-

- UN5119
 - 2SA15862
 - SB1218A2
 - SC2714
 - 2SC4081
-



- 2SB1370
 - 2SD2061
-

- UN4212
 - 2SA1309A
 - 2SC3311A
-

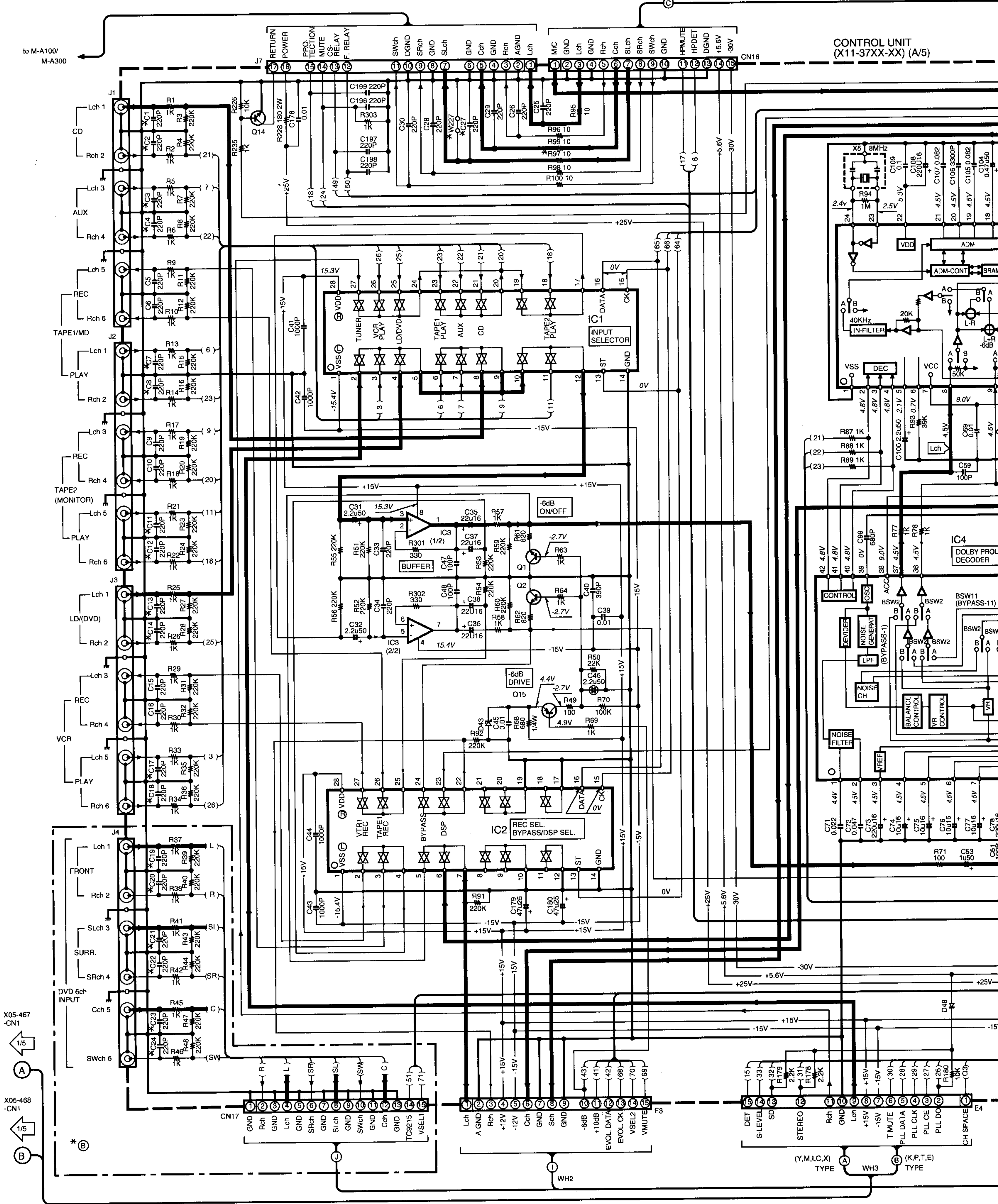
C-V100/V150/V350 (K) (2/5)

CARRIER	MODULATION		ANT INPUT
	FREQUENCY	DEVIATION	
8MHz	1kHz	STEREO 67.5kHz 7.5kHz(Pilot)	60dB
0(999)kHz	400Hz	MONO 30% MOD	60dB

Y05-3370-10

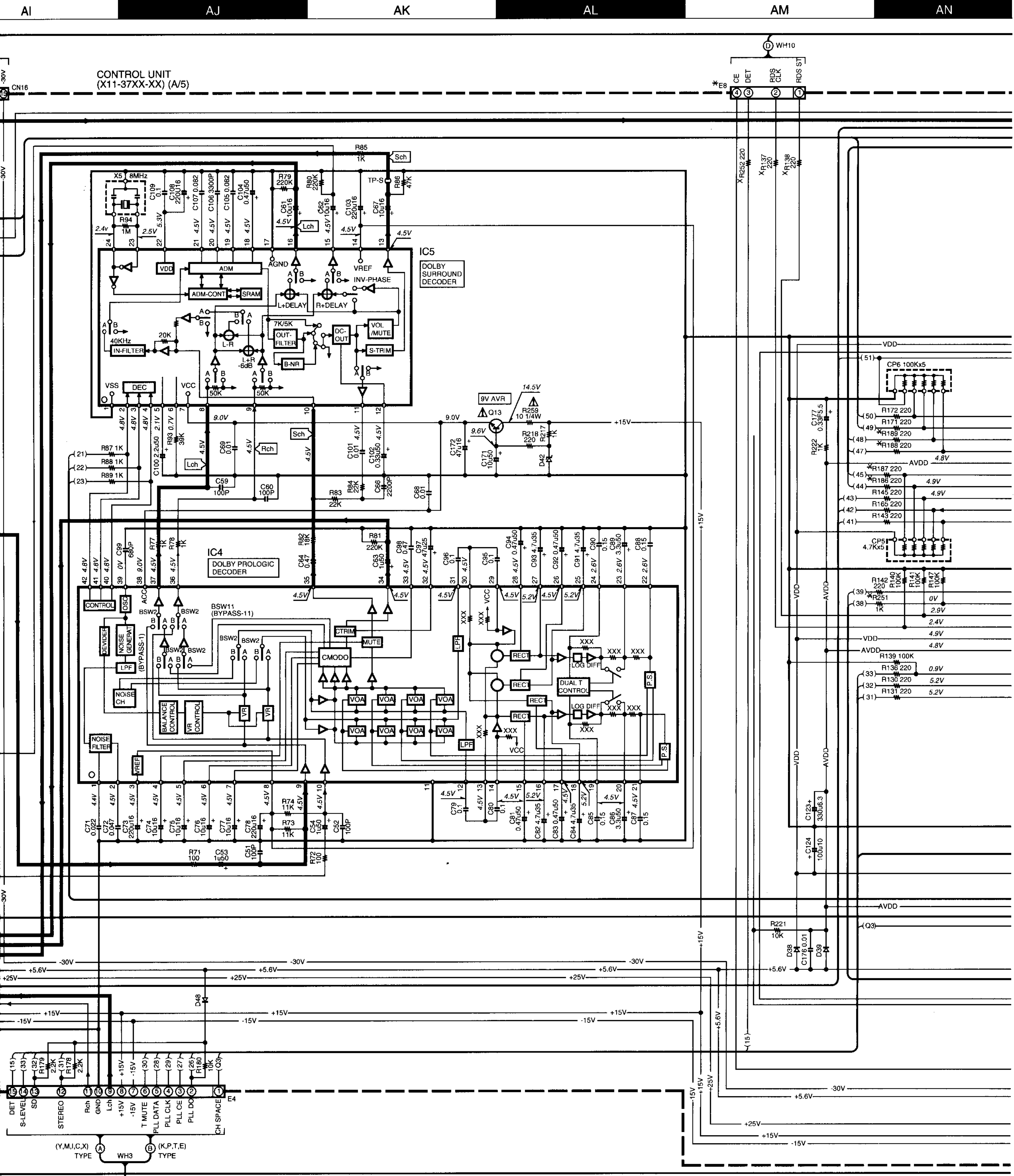
C-V100/V150/V300/V350

KENWOOD



CAUTION: For continued safety, replace safety critical components only with manufacturer's recommended parts (refer to parts list). Δ indicates safety critical components. For continued protection against risk of fire, replace only with same type and rating fuse(s). To reduce the risk of electric shock, leakage-current or resistance measurements shall be carried out (exposed parts are acceptably insulated from the supply circuit) before the appliance is returned to the customer.

DOLBY and the Laboratories L made under Corporation.



CONTROL UNIT
(X11-37XX-XX) (A/5)

IC5
DOLBY
SURROUND
DECODER

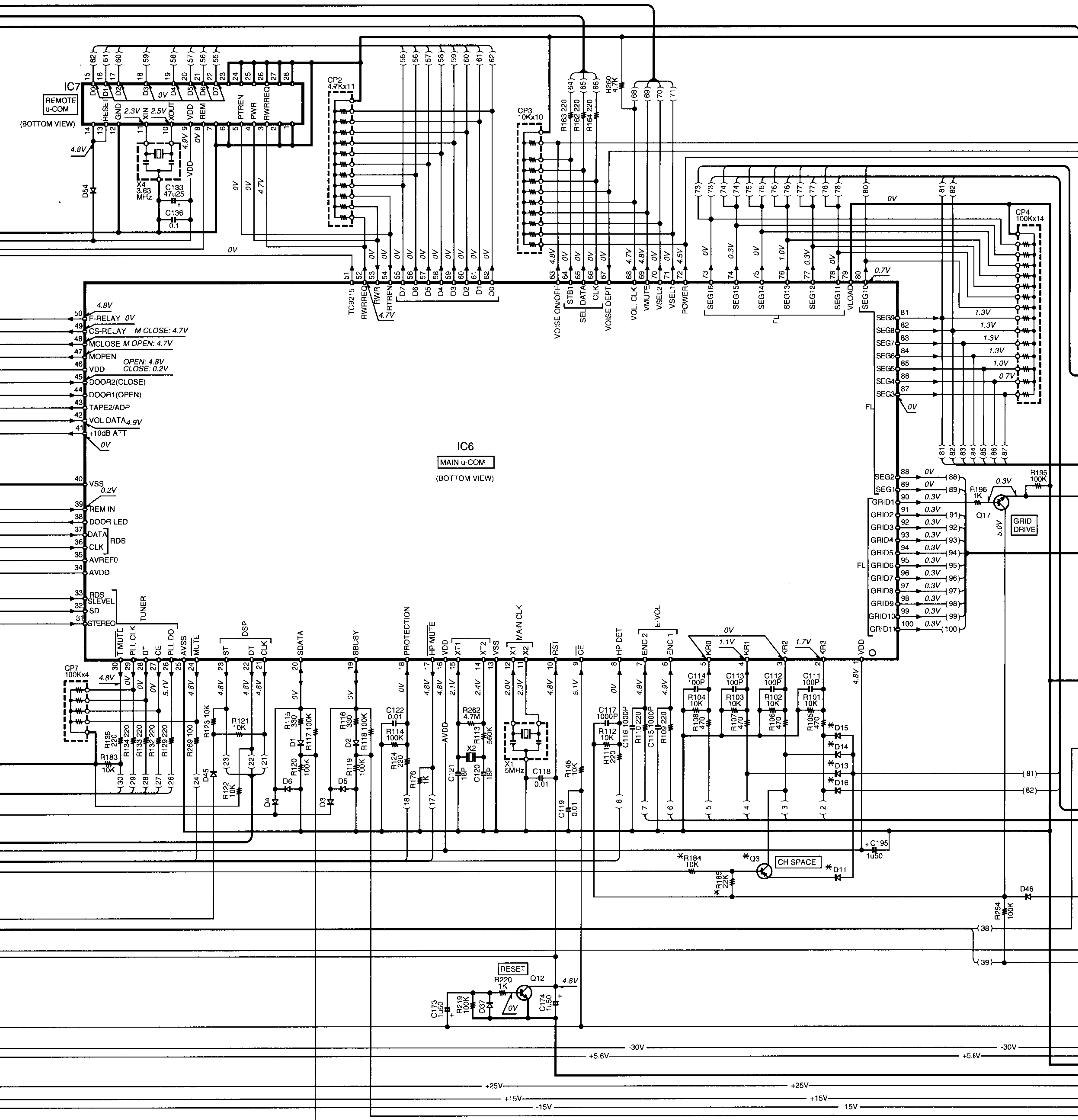
IC4
DOLBY PROLOGIC
DECODER

DOLBY and the double-D symbol are trademarks of Dolby Laboratories Licensing Corporation. Noise reduction circuit made under license from Dolby Laboratories Licensing Corporation.

The DC voltage is an actual reading measured with a high impedance type voltmeter with no signal input. The measurement value may vary depending on the measuring instruments used or on the product.

REMOTE u-COM (BOTTOM VIEW)

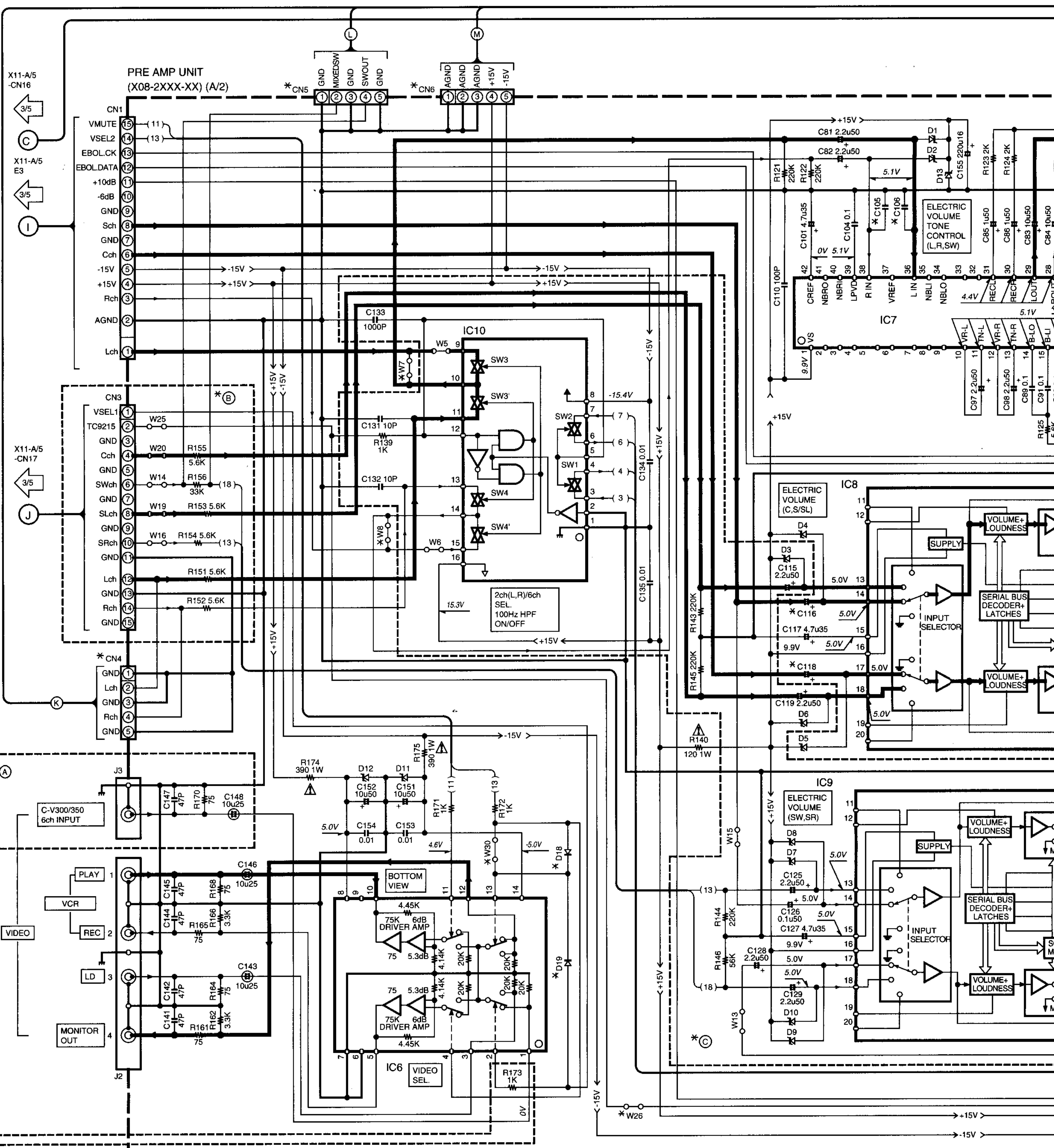
IC6 MAIN u-COM (BOTTOM VIEW)



- 50 4.8V
- 49 F-RELAY 0V
- 48 GS-RELAY M CLOSE: 4.7V
- 47 MCLOSE M OPEN: 4.7V
- 46 MOPEN
- 45 VDD OPEN: 4.8V, CLOSE: 0.2V
- 44 DOOR2(CLOSE)
- 43 DOOR1(OPEN)
- 42 TAPE2/ADP
- 41 VOL DATA 4.9V
- 40 +10dB ATT 0V
- 39 VSS 0.2V
- 38 REM IN
- 37 DOOR LED
- 36 DATA
- 35 RDS
- 34 AVREF0
- 33 AVDD
- 32 RDS
- 31 SLEVEL
- 30 SD
- 29 STEREO
- 28 TUNER
- 27 T MUTE
- 26 PLL CLK
- 25 DT
- 24 CE
- 23 PLL DO
- 22 AVSS
- 21 MUTE
- 20 ST
- 19 DSP
- 18 DT
- 17 CLK
- 16 SDATA
- 15 SSBUSY
- 14 PROTECTION
- 13 HP MUTE
- 12 VDD
- 11 XT1
- 10 XT2
- 9 VSS
- 8 X1
- 7 X2
- 6 MAIN CLK
- 5 RST
- 4 CE
- 3 E-VOL
- 2 HP DET
- 1 ENC 2
- 0 ENC 1

- 81 0V
- 82 0V
- 83 1.3V
- 84 1.3V
- 85 1.3V
- 86 1.0V
- 87 0.7V
- 88 0V
- 89 0V
- 90 0.3V
- 91 0.3V
- 92 0.3V
- 93 0.3V
- 94 0.3V
- 95 0.3V
- 96 0.3V
- 97 0.3V
- 98 0.3V
- 99 0.3V
- 100 0.3V

PRE AMP UNIT
(X08-2XXX-XX) (A/2)



(X08-2760-10)

IC1,5,11 : NJM4580D-D
 IC2-4 : NJM4565D-D
 IC6 : NJM2279D
 IC7 : TDA7466
 IC8,9 : TDA7309
 IC10 : TC9215AP

Q1-8,11,12 : 2SC2878(B)
 Q15,17,19 : 2SA1048(Y,GR) or 2SA1309A(Q,R)
 Q16,18 : 2SC2458(Y,GR) or 2SC3311A(Q,R)
 D1-10 : RD8.2ES(B2) or HZS8.2N(B2)
 D11,12 : RD5.1ES(B2) or HZS5.1N(B2)
 D13 : RD10ES(B2) or HZS10N(B2)
 D14,15,18,19 : 1SS131 or HSS104A
 D16 : RD3.9ES(B2) or HZS3.9N(B2)

(X08-2810-20)

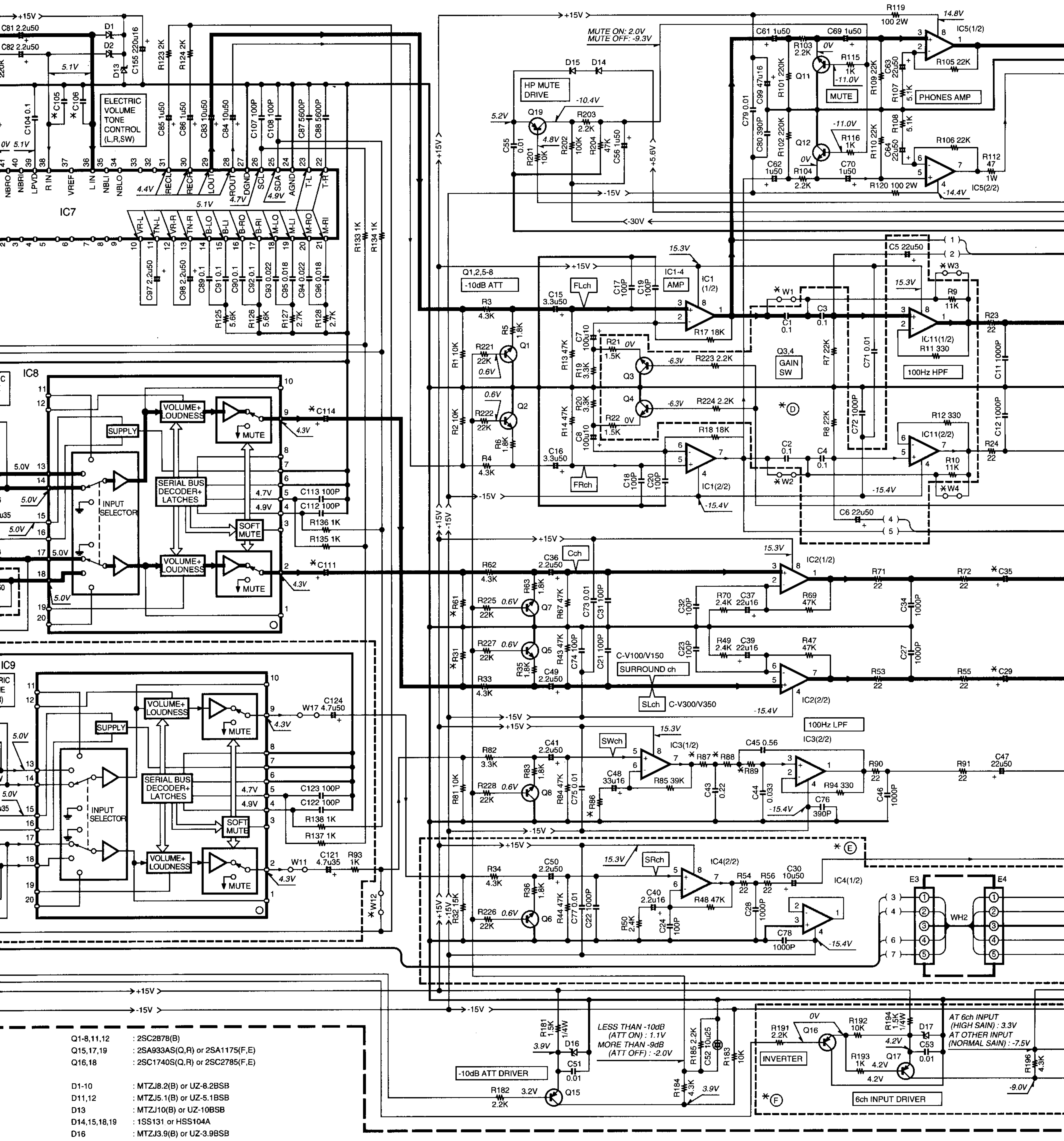
IC1,5,11 : NJM4580D-D
 IC2-4 : NJM4565D-D
 IC6 : NJM2279D
 IC7 : TDA7466
 IC8,9 : TDA7309
 IC10 : TC9215AP

Q1-8,11,12 : 2SC2878(B)
 Q15,17,19 : 2SA933AS(Q,R) or 2SA1175S
 Q16,18 : 2SC1740S(Q,R) or 2SC2785S
 D1-10 : MTZJ8.2(B) or UZ-8.2BSB
 D11,12 : MTZJ5.1(B) or UZ-5.1BSB
 D13 : MTZJ10(B) or UZ-10BSB
 D14,15,18,19 : 1SS131 or HSS104A
 D16 : MTZJ3.9(B) or UZ-3.9BSB

X11-A/5 -E9

3/5

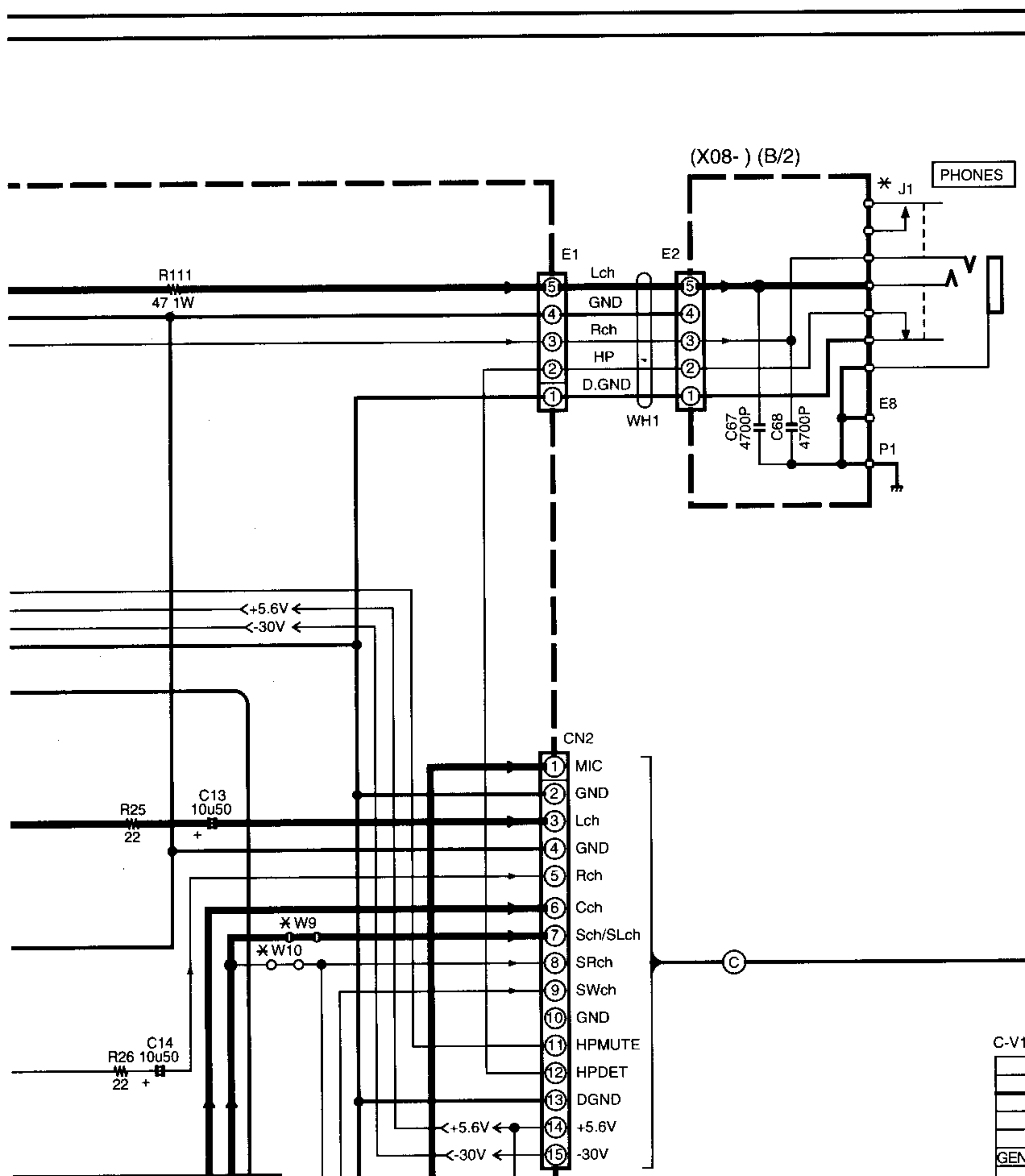
H



- Q1-8,11,12 : 2SC2878(B)
- Q15,17,19 : 2SA933AS(Q,R) or 2SA1175(F,E)
- Q16,18 : 2SC1740S(Q,R) or 2SC2785(F,E)
- D1-10 : MTZJ8.2(B) or UZ-8.2BSB
- D11,12 : MTZJ5.1(B) or UZ-5.1BSB
- D13 : MTZJ10(B) or UZ-10BSB
- D14,15,18,19 : 1SS131 or HSS104A
- D16 : MTZJ3.9(B) or UZ-3.9BSB

LESS THAN -10dB
(ATT ON) : 1.1V
MORE THAN -9dB
(ATT OFF) : -2.0V

AT 6ch INPUT
(HIGH SAIN) : 3.3V
AT OTHER INPUT
(NORMAL SAIN) : -7.5V



C-V100

DESTINATION	COUNTRY	ABB	UNIT No.	A - G	D18, 19	W1-4,7,8,10,12,29,30	W5,6,9,11,13-17,19-28,31-36,39,41-43	C29, 35	C48	C105, 106	C111, 114	C116, 118	C160	
GENERAL MARKET	AUSTRALIA	X	X08-2810-20		NO	NO	YES		0.1u50	47u16	100P	1u50	2.2u50	NO
	CHINA	I												
	MALAYSIA	I												
	U.S.A.	K												
	CANADA	P	X08-2760-10											
	MALAYSIA	I												

C-V150

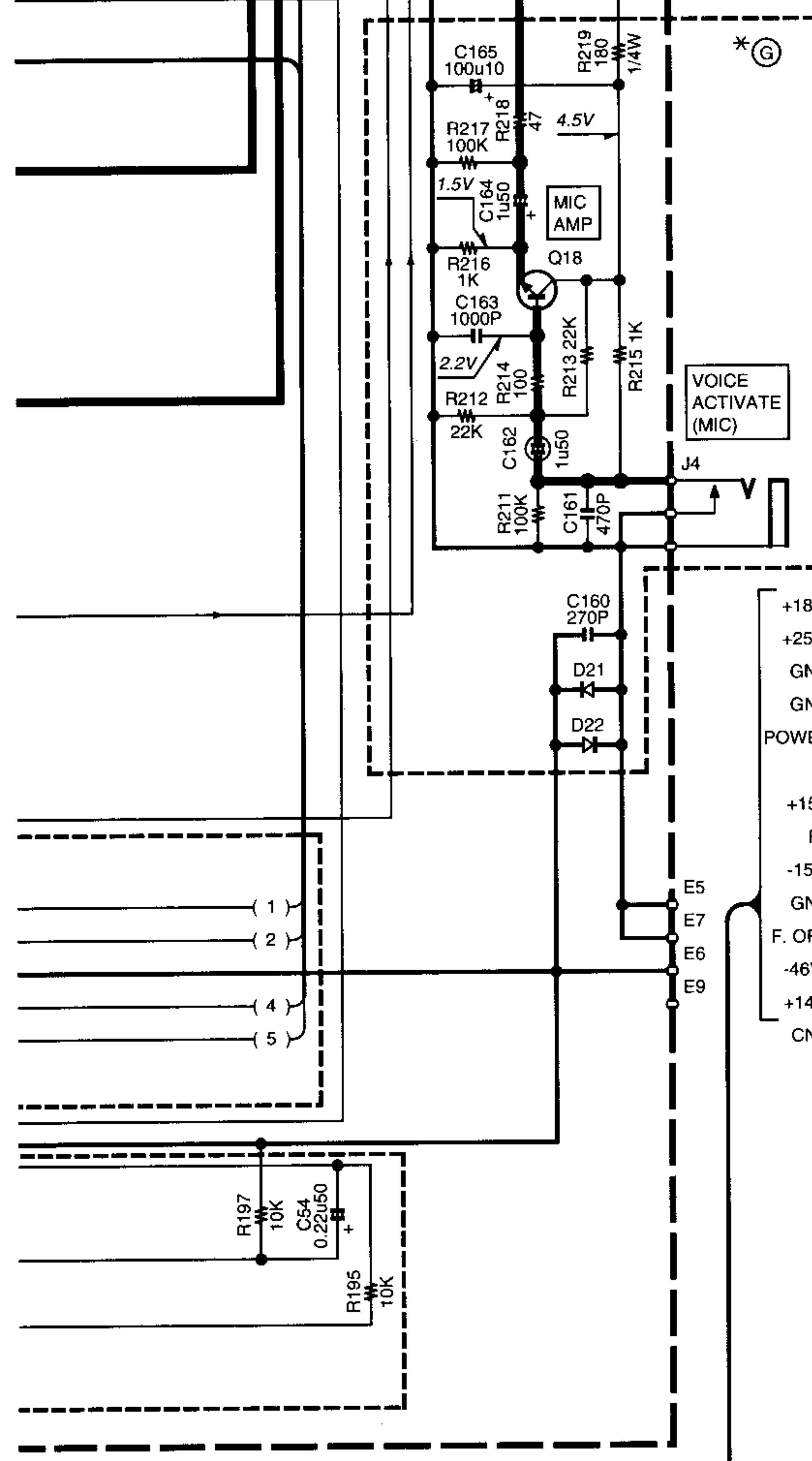
DESTINATION	COUNTRY	ABB	UNIT No.	A - F	G	D18, 19	W1-4,7,8,10,12,29,30,41,42	W5,6,9,11,13-17,19-28,31-36,39,41-43	C29, 35	C48	C105, 106	C111, 114	C116, 118	C160	J1
EUROPE	U.K.	E		NO	YES	NO	YES		0.1u50	47u16	100P	1u50	2.2u50	YES	E11-0280-05

C-V300

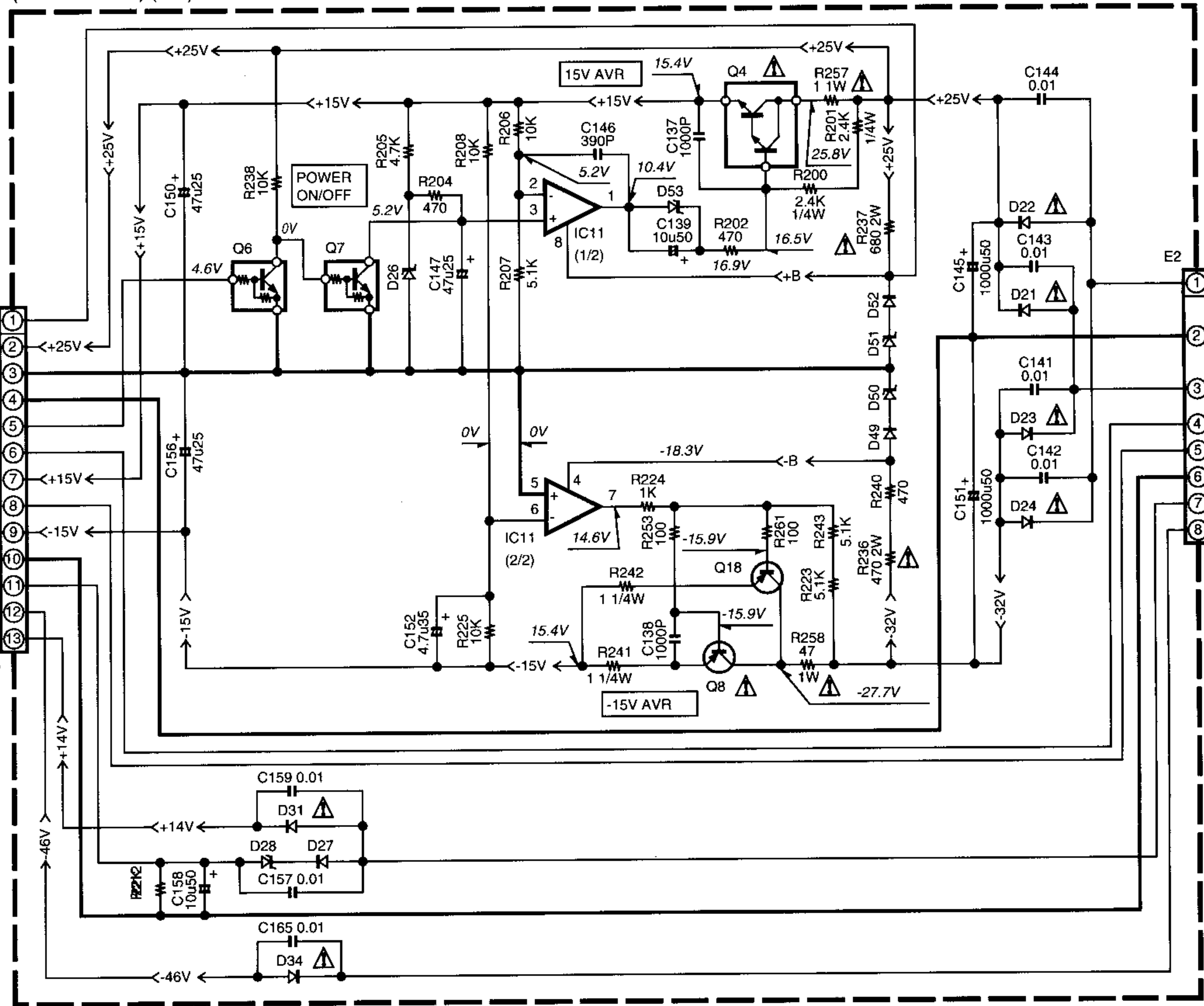
DESTINATION	COUNTRY	ABB	UNIT No.	A - F	G	D18, 19	W1-4,7,8,10,12,29,30	W5,6,9,11,13-17,19-28,31-36,39,41-43	C29, 35	C48	C105, 106	C111, 114	C116, 118	C160	J1
GENERAL MARKET	AUSTRALIA	M		YES	NO	YES	NO	YES	10u50	22u50	10P	4.7u50	0.1u50	NO	E11-0282-05
	CHINA	X													
	MALAYSIA	I													

C-V350

DESTINATION	COUNTRY	ABB	UNIT No.	A - G	D18, 19	W1-4,7,8,10,12,29,30	W5,6,9,11,13-17,19-28,31-36,39,41-43	C29, 35	C48	C105, 106	C111, 114	C116, 118	C160	J1
EUROPE	U.K.	E		YES	YES	NO	YES	10u50	22u50	10P	4.7u50	0.1u50	YES	E11-0280-05



CONTROL UNIT (X11-37XX-XX) (C/5)



- C-V300
- C-V350
- D21-24,31,34
- D26,53
- D27
- D28
- D49
- D50,51
- D52
- IC11
- Q4
- Q6,7
- Q8,18

6,9,11,13-17,19-31-36,39,41-43	C29, 35	C48	C105, 106	C111, 114	C116, 118	C160	J1	R31,61, 87-89	R86	CN4-6
NO	0.1u50	47u16	100P	1u50	2.2u50	NO	E11-0282-05	10K	470	NO
							E11-0280-05			

-17,19-39,43	C29, 35	C48	C105, 106	C111, 114	C116, 118	C160	J1	R31,61, 87-89	R86	CN4-6
	0.1u50	47u16	100P	1u50	2.2u50	YES	E11-0280-05	10K	470	NO

19-43	C29, 35	C48	C105, 106	C111, 114	C116, 118	C160	J1	R31, 61	R86	R87-89	CN4-6
	10u50	22u50	10P	4.7u50	0.1u50	NO	E11-0282-05	15K	820	11K	YES

C29, 35	C48	C105, 106	C111, 114	C116, 118	C160	J1	R31, 61	R86	R87-89	CN4-6
10u50	22u50	10P	4.7u50	0.1u50	YES	E11-0280-05	15K	820	11K	YES

S1	R232	P1	W100	W228	J6	WH8
NO	YES	YES	YES		E03-0148-05	NO
YES	NO	NO	NO	YES	E03-0149-05	YES
NO			YES		E03-0330-05	NO
					E03-0325-05	NO

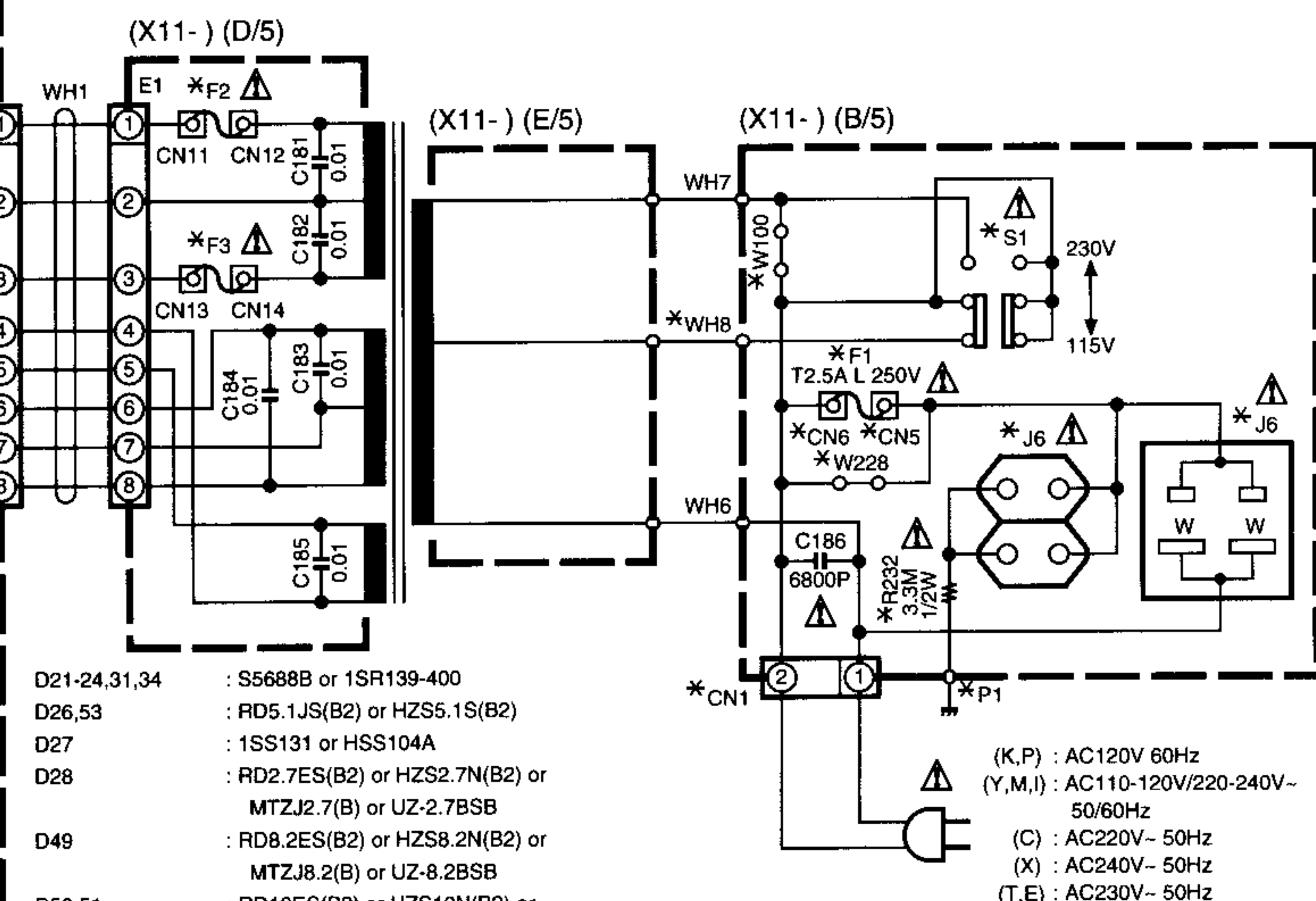
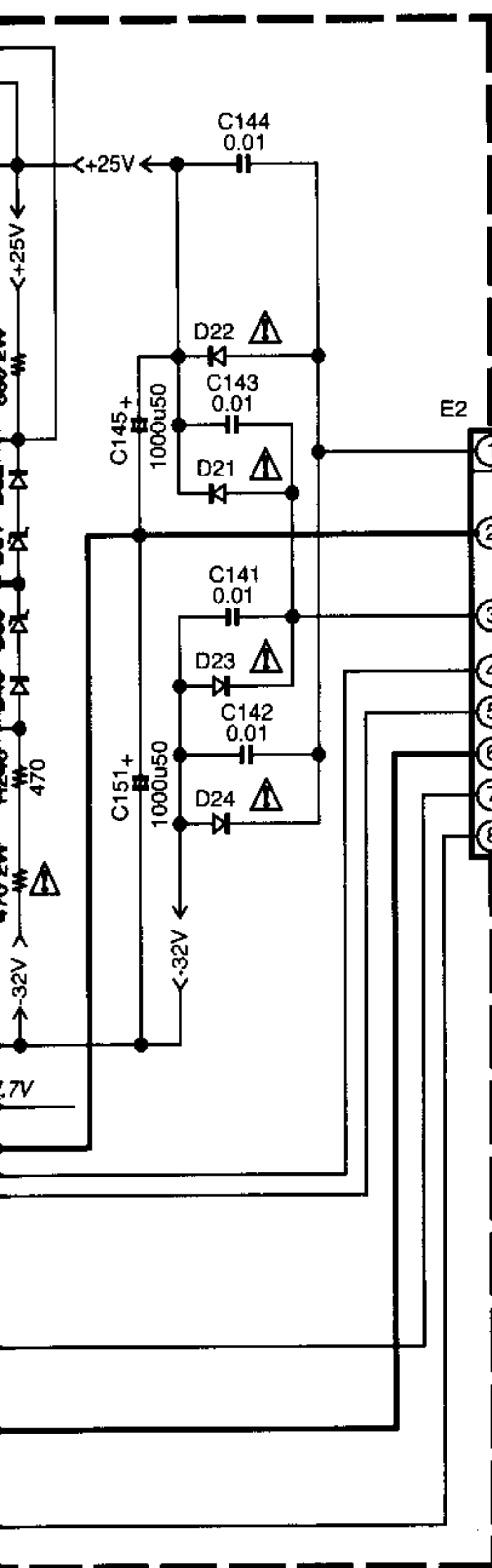
S1	R232	P1	W100	W228	J6	WH8
NO	NO	NO	YES	NO	E03-0310-05	NO
					E03-0149-05	NO

C-V300

DESTINATION	COUNTRY	ABB	UNIT No.	F1	F2,3	CN1	CN5,6	S1	R232	P1	W100	W228	J6	WH8
GENERAL MARKET	M		X11-3790-21		T800mA L 250V	E40-4245-05	NO	YES	NO	NO	NO	YES	E03-0149-05	YES
MALAYSIA	T			NO			NO	NO	NO	NO	NO	YES	E03-0330-05	NO
CHINA	C		X11-3793-02				NO	NO	NO	NO	NO	YES	E03-0325-05	NO
AUSTRALIA	X		X11-3790-72				NO	NO	NO	NO	NO	YES	E03-0325-05	NO

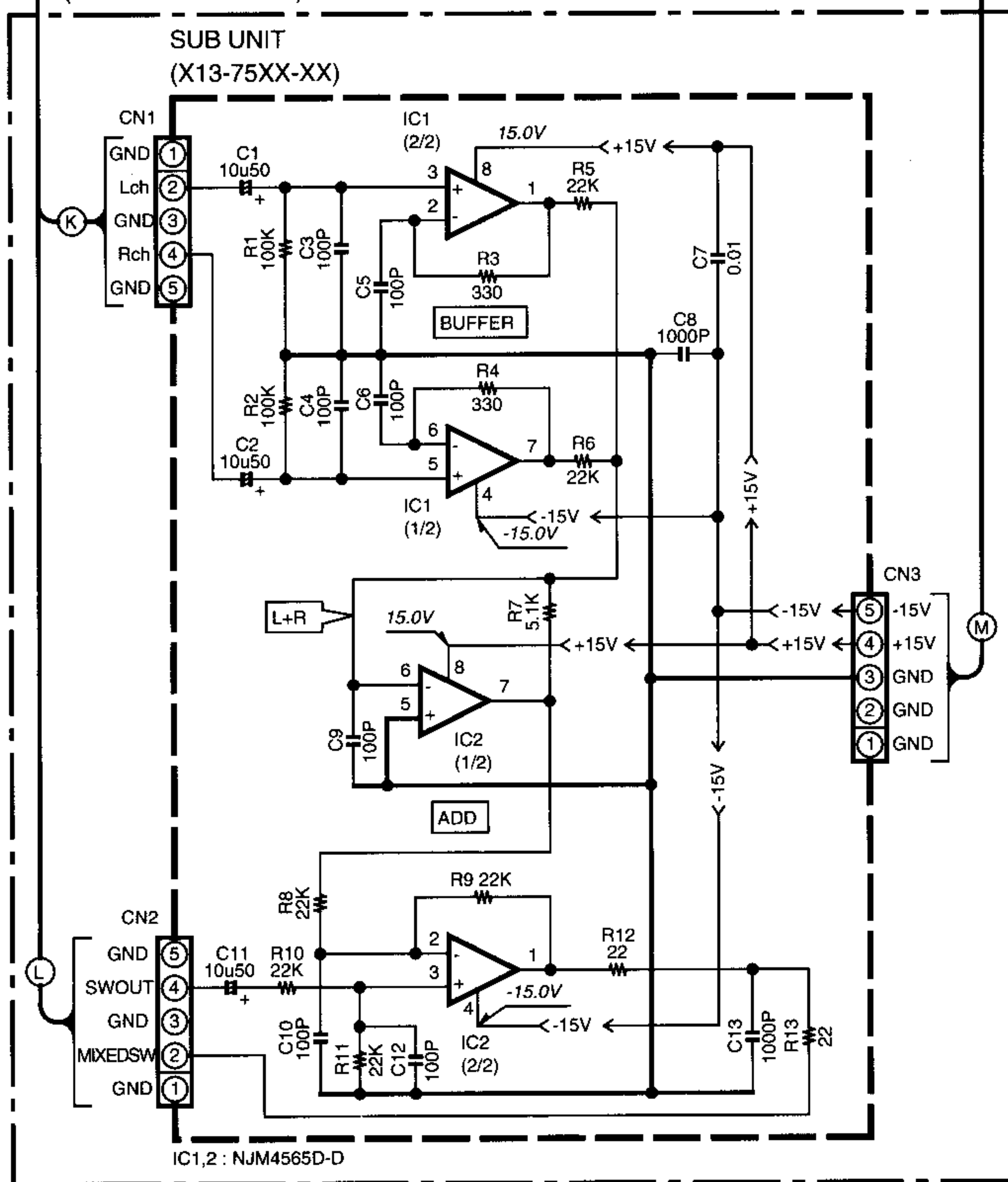
C-V350

DESTINATION	COUNTRY	ABB	UNIT No.	F1	F2,3	CN1	CN5,6	S1	R232	P1	W100	W228	J6	WH8
U.K.	T		X11-3530-52	YES	T800mA L 250V	E40-8126-05	YES	NO	NO	NO	YES	NO	E03-0310-05	NO
EUROPE	E		X11-3532-72				YES	NO	NO	NO	YES	NO	E03-0149-05	NO



- D21-24,31,34 : S5688B or 1SR139-400
- D26,53 : RD5.1JS(B2) or HZS5.1S(B2)
- D27 : 1SS131 or HSS104A
- D28 : RD2.7ES(B2) or HZS2.7N(B2) or MTZJ2.7(B) or UZ-2.7BSB
- D49 : RD8.2ES(B2) or HZS8.2N(B2) or MTZJ8.2(B) or UZ-8.2BSB
- D50,51 : RD10ES(B2) or HZS10N(B2) or MTZJ10(B) or UZ-10BSB
- D52 : RD6.2ES(B2) or HZS6.2N(B2) or MTZJ6.2(B) or UZ-6.2BSB
- IC11 : NJM4558D
- Q4 : 2SD1894
- Q6,7 : UN4212 or DTC124ESA
- Q8,18 : 2SB1370(E,F) or 2SB1375

(USED C-V300/V350)



IC1,2 : NJM4565D-D

CAUTION: For continued safety, replace safety critical components only with manufacturer's recommended parts (refer to parts list). Δ indicates safety critical components. For continued protection against risk of fire, replace only with same type and rating fuse(s). To reduce the risk of electric shock, leakage-current or resistance measurements shall be carried out (exposed parts are acceptably insulated from the supply circuit) before the appliance is returned to the customer.

The DC voltage is an actual reading measured with a high impedance type voltmeter with no signal input. The measurement value may vary depending on the measuring instruments used or on the product.

C-V100/V150/V300/V350 (K) (4/5)

C-V100/V150/V300/V350

SUB UNIT (X13-7522-70)

X11-A/5 E8
3/5
D

X11-A/5 E7
3/5
E

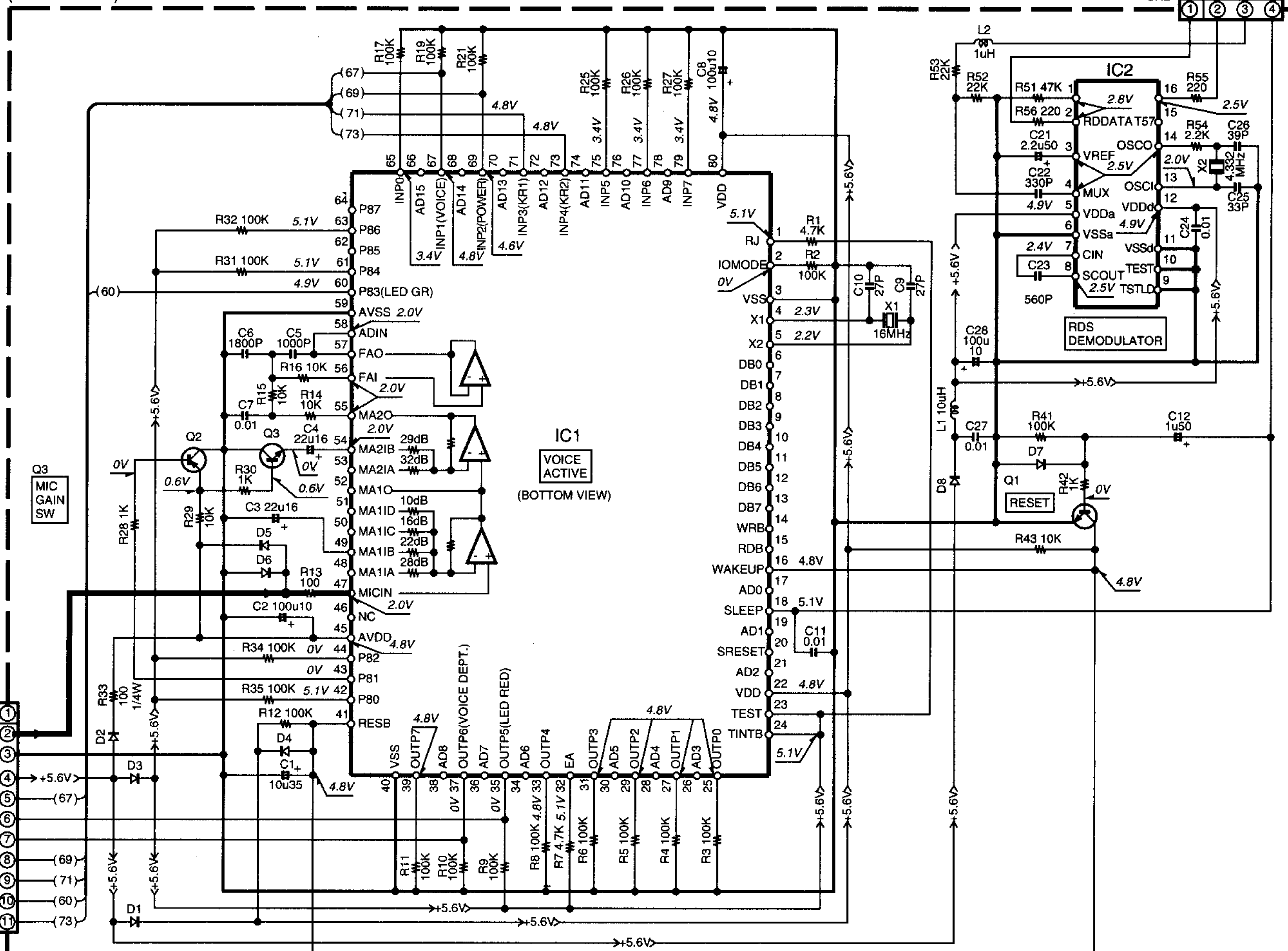
X11-A/5 CN4
3/5
G

X11-A/5 CN3
3/5
F

X11-A/5 CN4
3/5
G

X11-A/5 CN4
3/5
G

X11-A/5 CN4
3/5
G



(X14-) (B/4)

(X14-) (A/4)

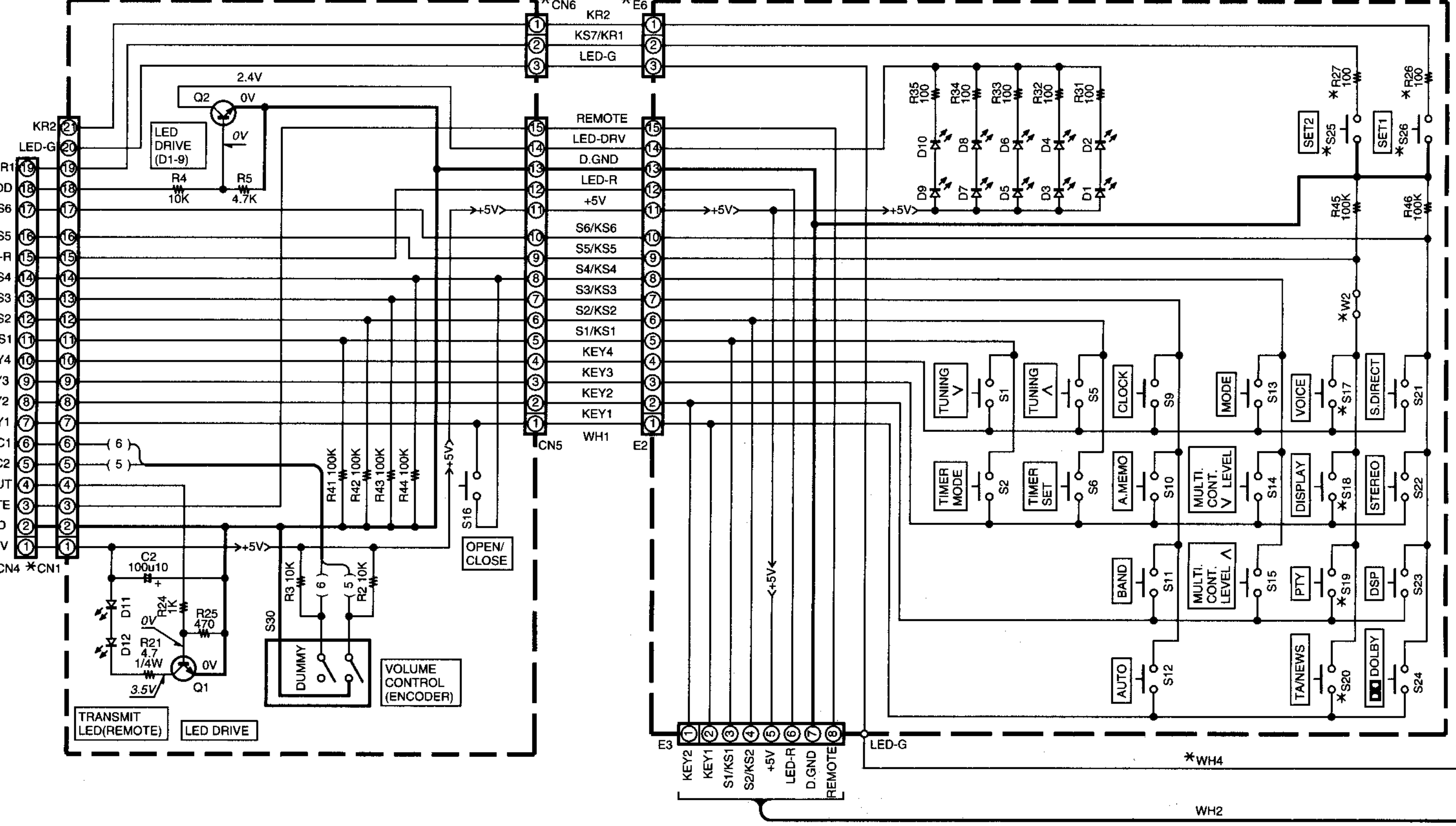
X11-A/5 CN4
3/5
G

X11-A/5 CN3
3/5
F

X11-A/5 CN4
3/5
G

X11-A/5 CN4
3/5
G

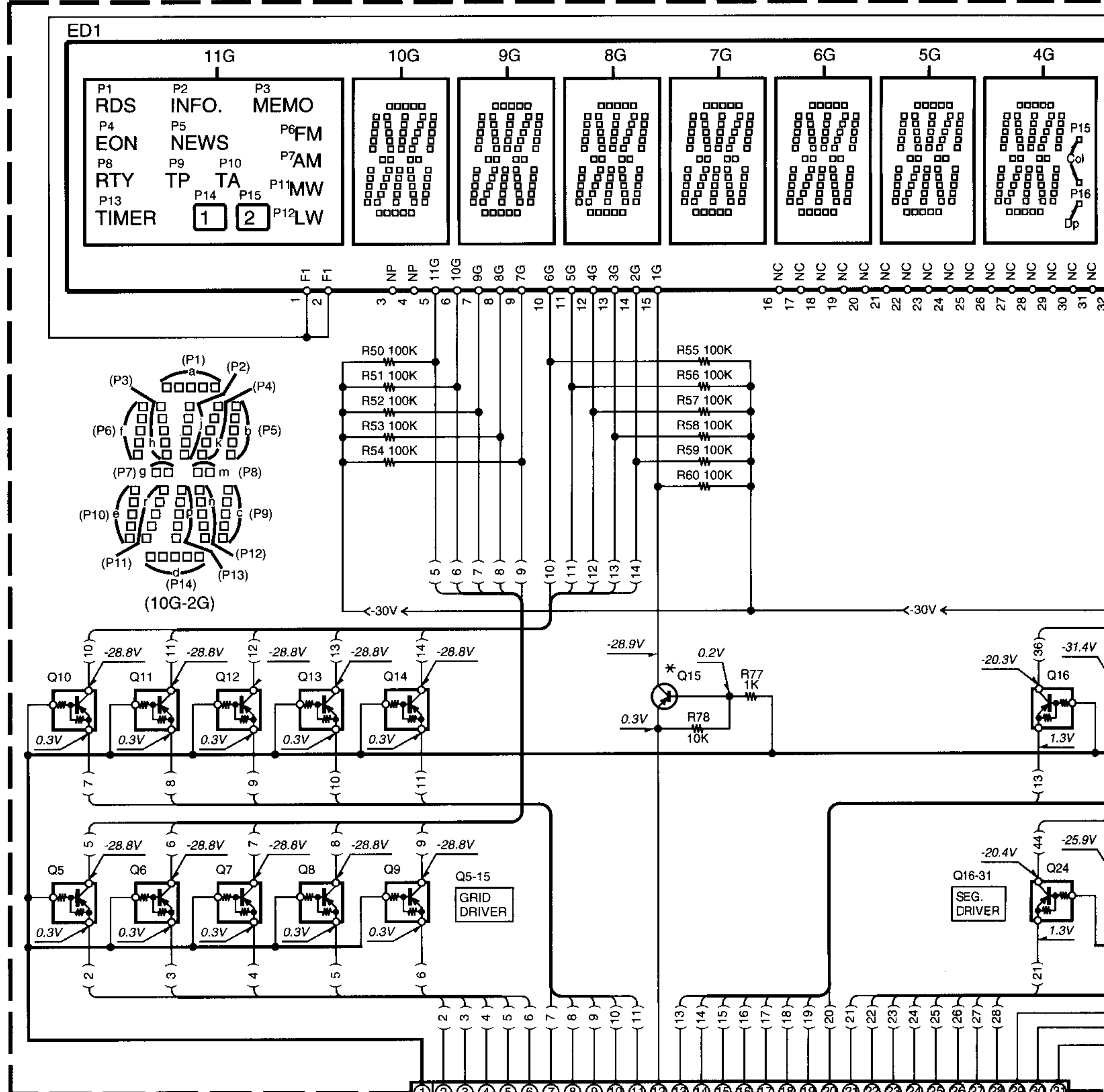
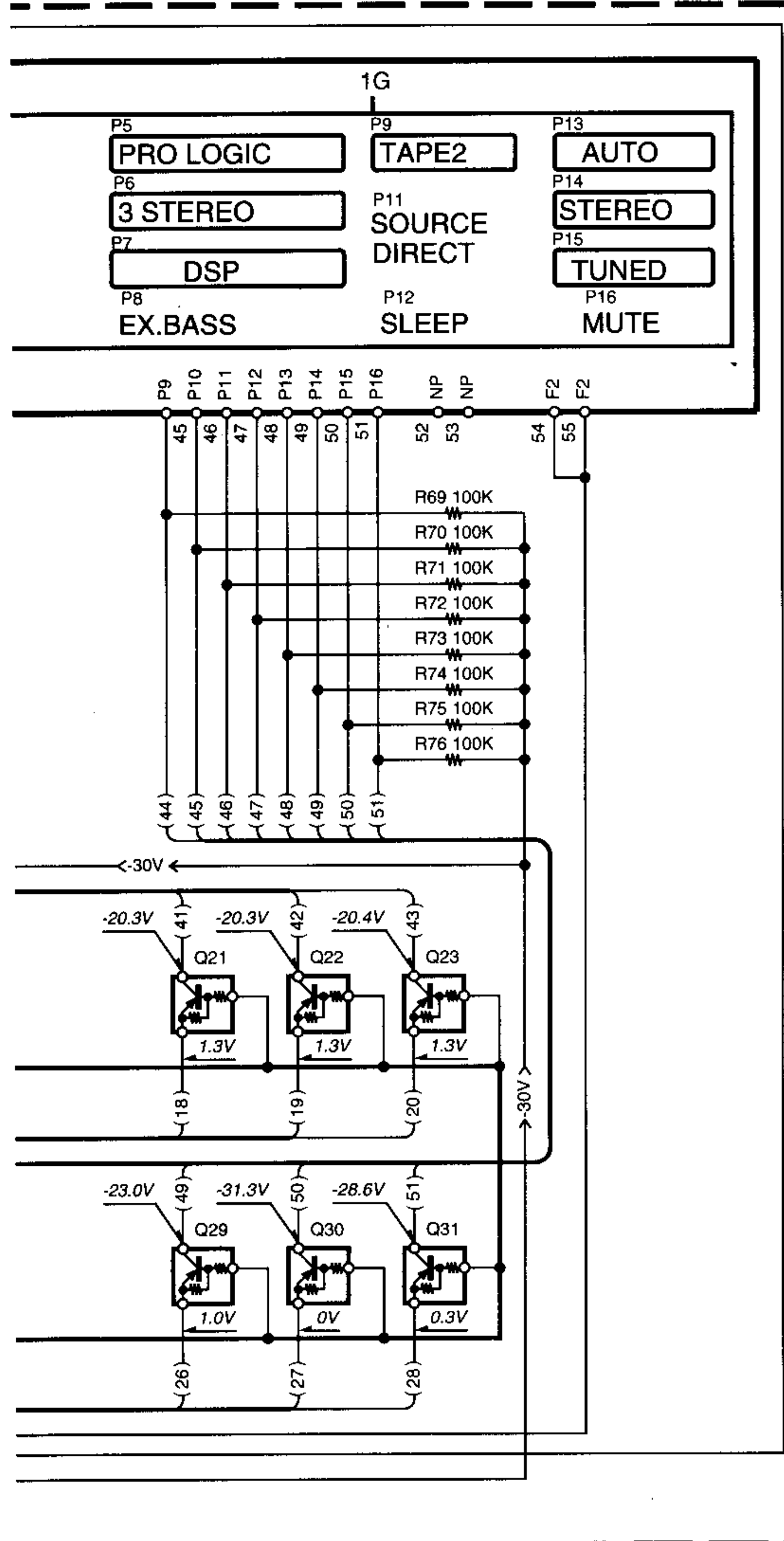
X11-A/5 CN4
3/5
G



*WH4

WH2

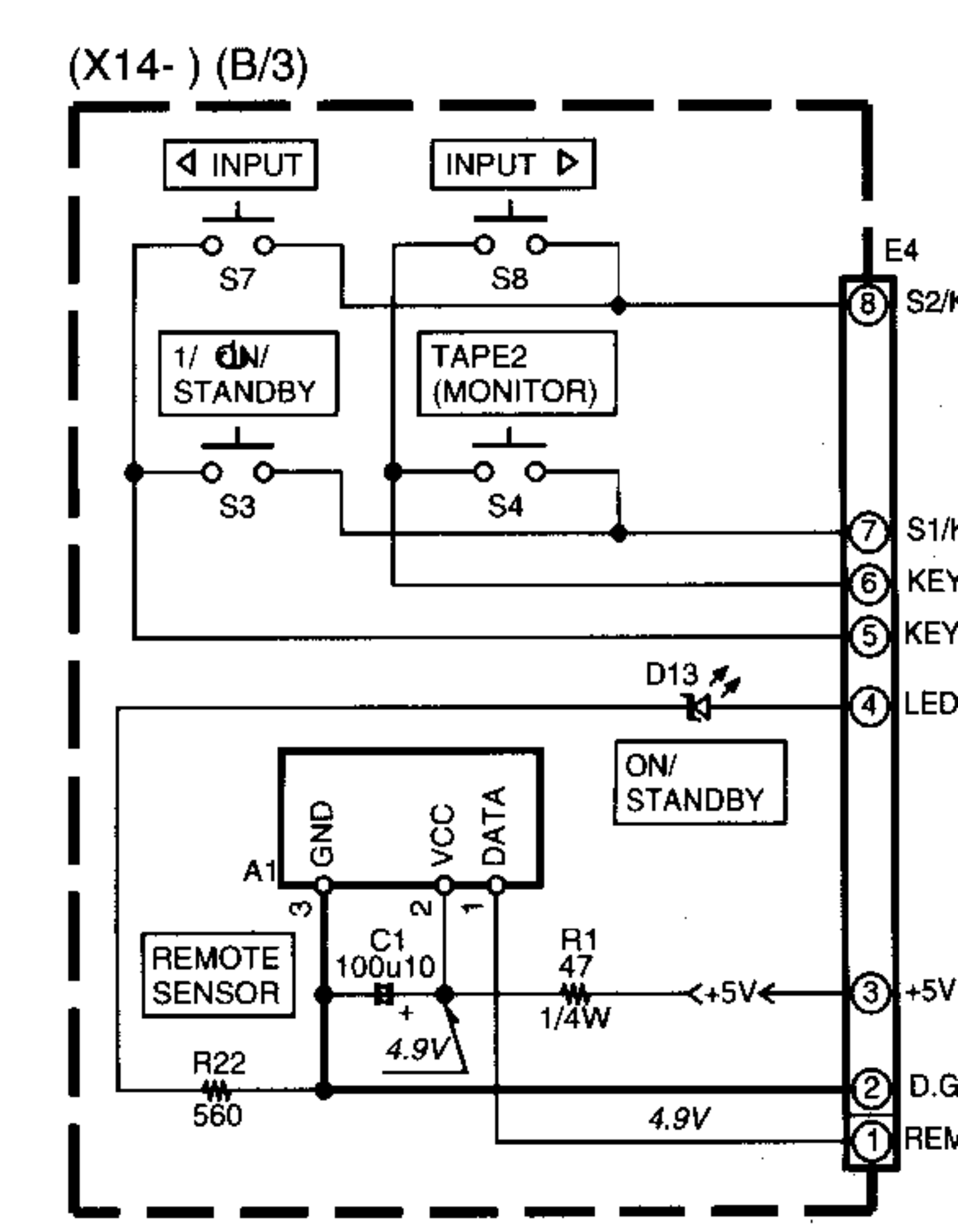
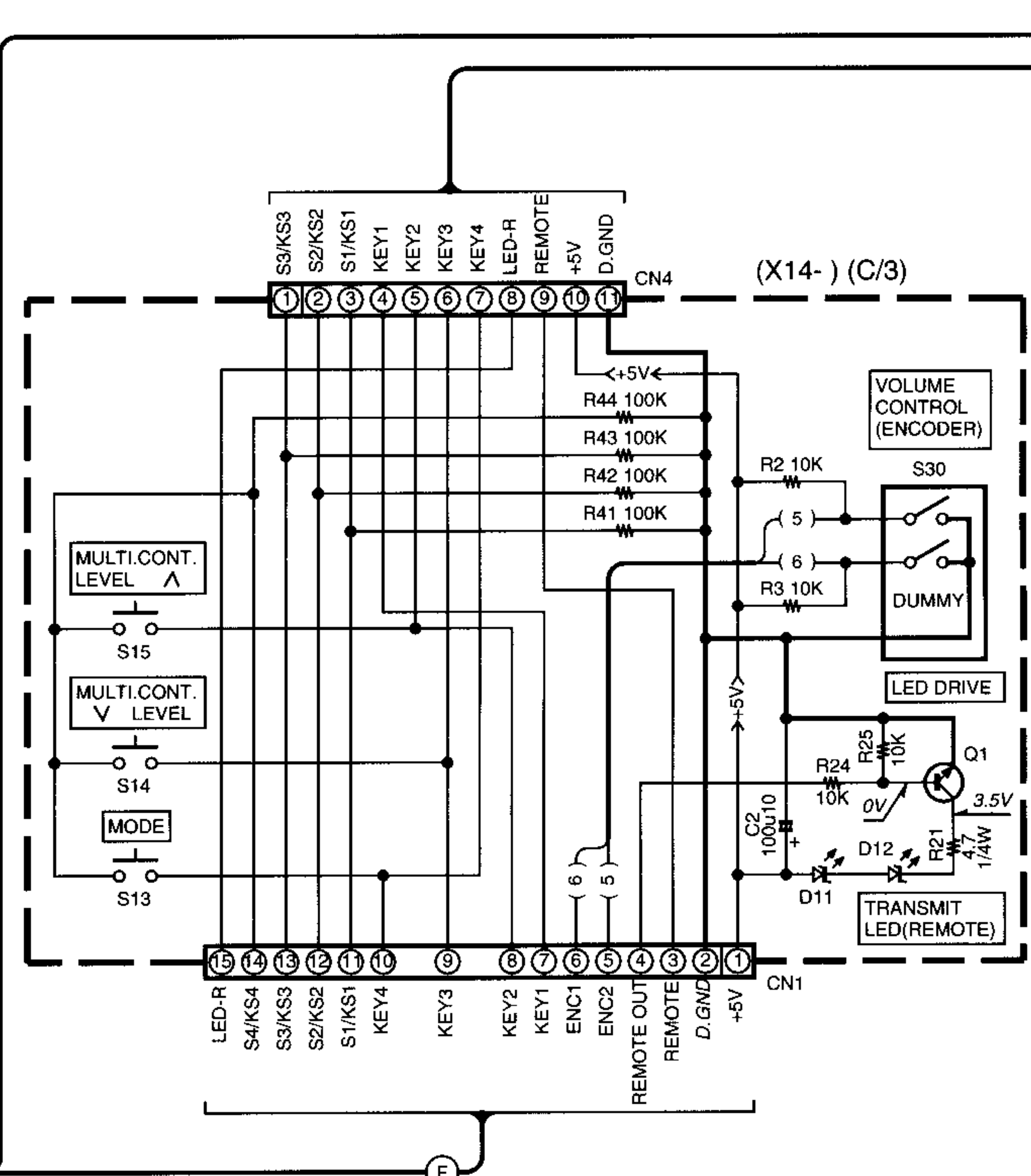
DISPLAY UNIT
(X14-4XXX-XX) (A/3) : V-C100

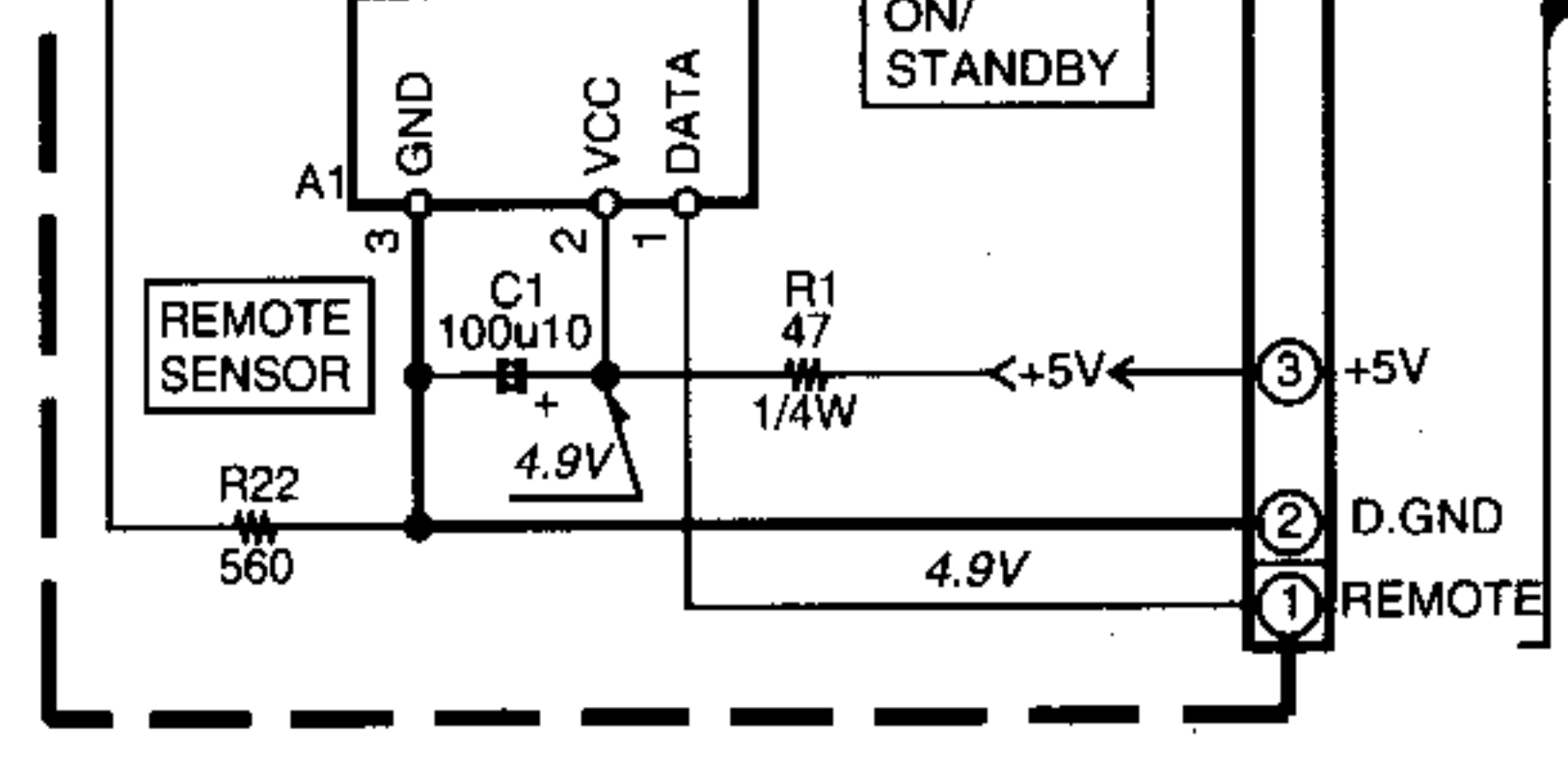
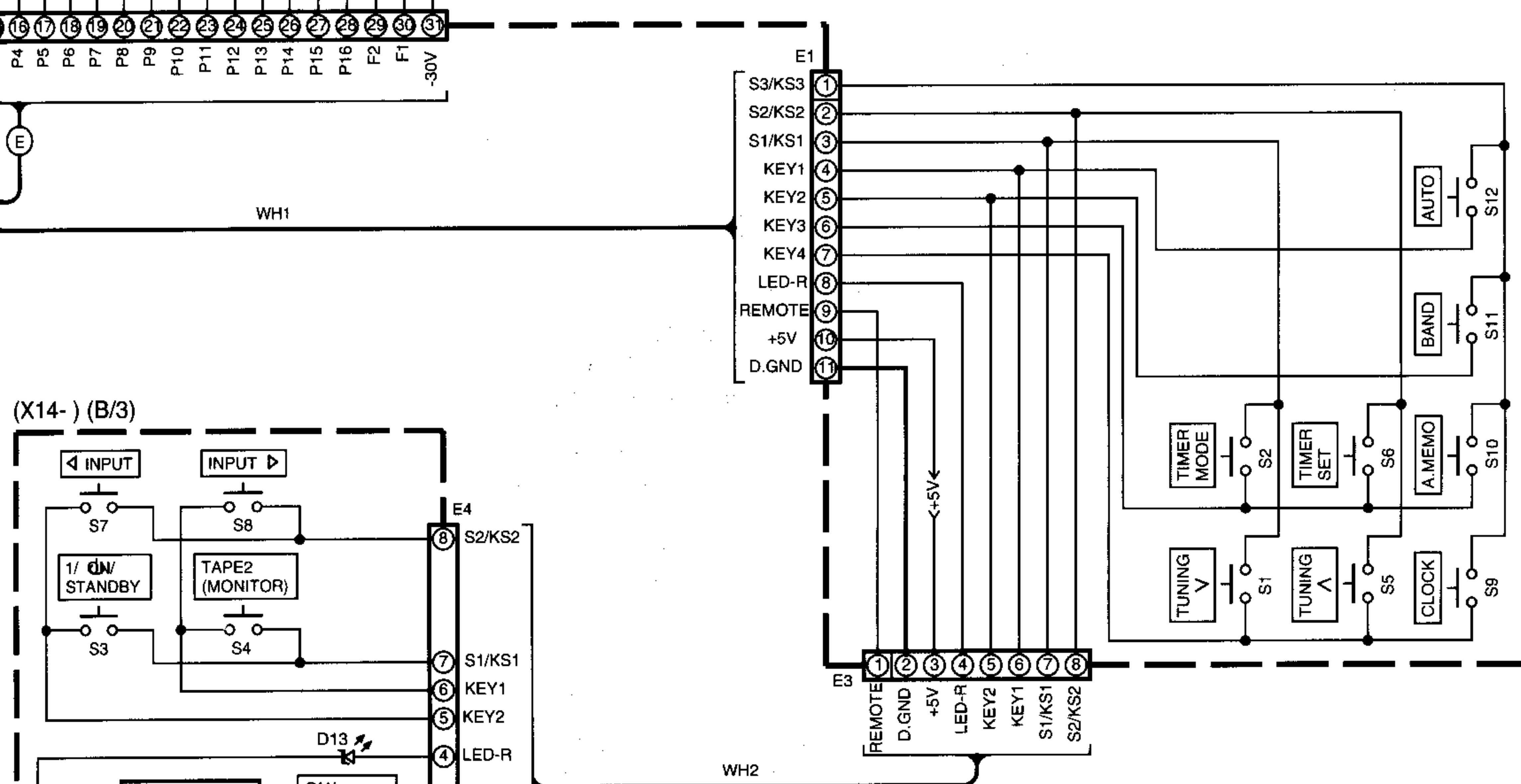
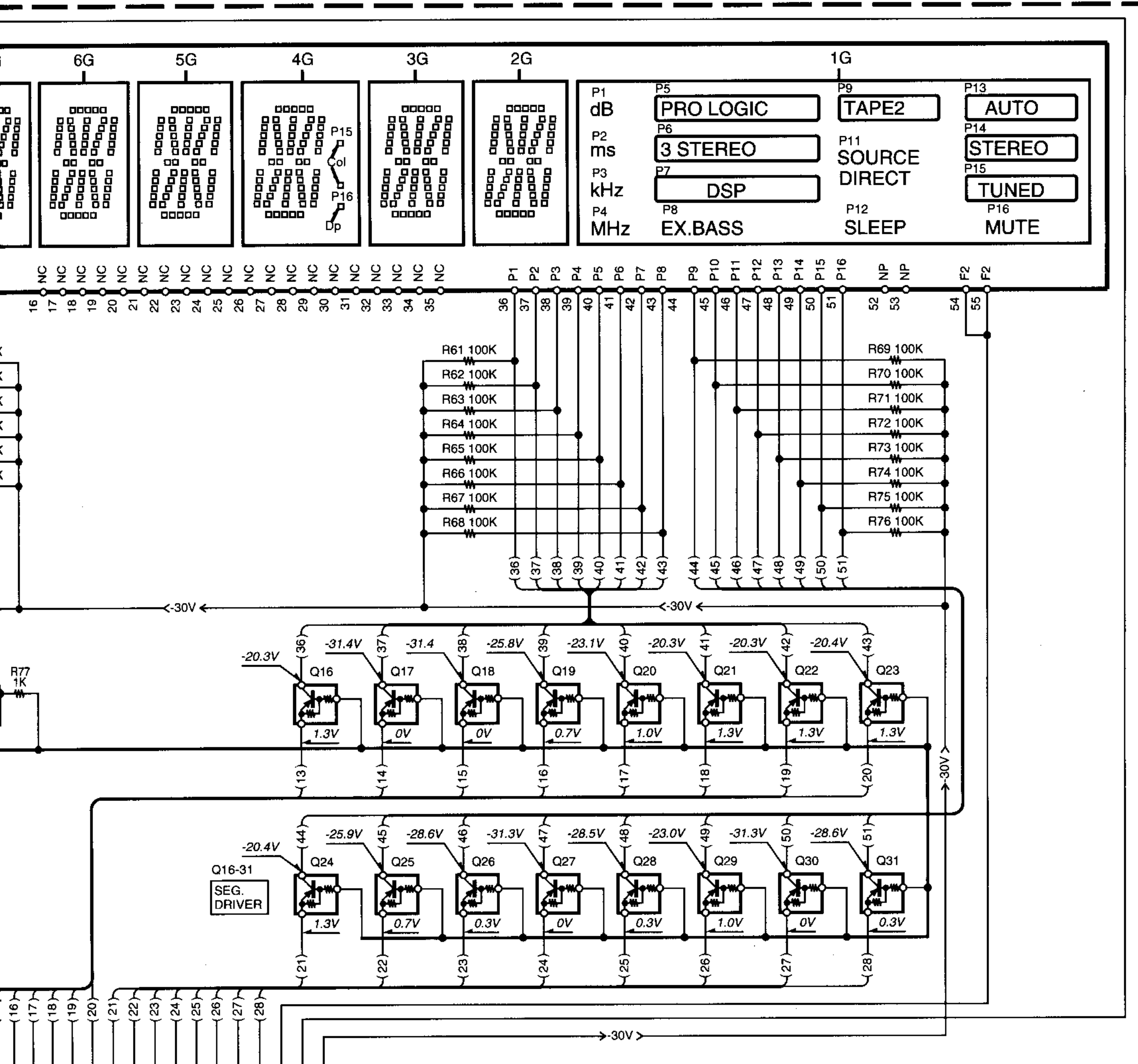


CAUTION: For continued safety, replace safety critical components only with manufacturer's recommended parts (refer to parts list). Δ indicates safety critical components. For continued protection against risk of fire, replace only with same type and rating fuse(s). To reduce the risk of electric shock, leakage-current or resistance measurements shall be carried out (exposed parts are acceptably insulated from the supply circuit) before the appliance is returned to the customer.

The DC voltage is an actual reading measured with a high impedance type voltmeter with no signal input. The measurement value may vary depending on the measuring instruments used or on the product.

S17-20, 25, 26	Q3,4	Q15
NO	NO	2SB1218A(Q,R) or 2SA1576A(R,S)
S17-20, 25, 26	Q3,4	Q15
YES	YES	2SA1576A(R,S) or 2SA1586(Y,GR)





DESTINATION COUNTRY	ABB	UNIT No.	Q15
U.S.A.	K	X14-4360-10	2SA1576A(R,S) or 2SA1586(Y,GR)
CANADA	P		
PX	Y		
GENERAL MARKET	M		
MALAYSIA	I	X14-4500-20	2SB1218A(Q,R) or 2SA1576A(R,S)
CHINA	C		
AUSTRALIA	X		

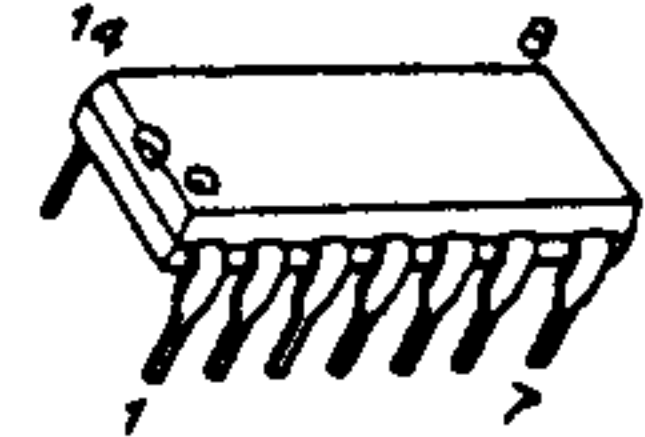
- (X14-4XXX-XX)
 Q1 : 2SC3246
 Q5-14,16-31 : UN5119 or DTA113ZUA
 Q15 : *
 D11,12 : B30-2519-05
 D13 : B30-2493-05
 ED1 : 20U64100SA
 A1 : W02-2598-05

C-V100/V150/V300/V350(M) (5/5)

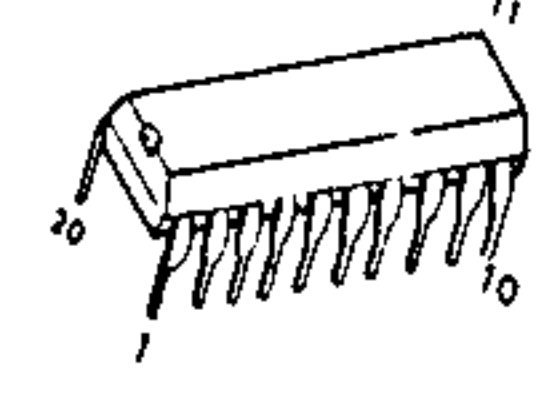
2SB1375



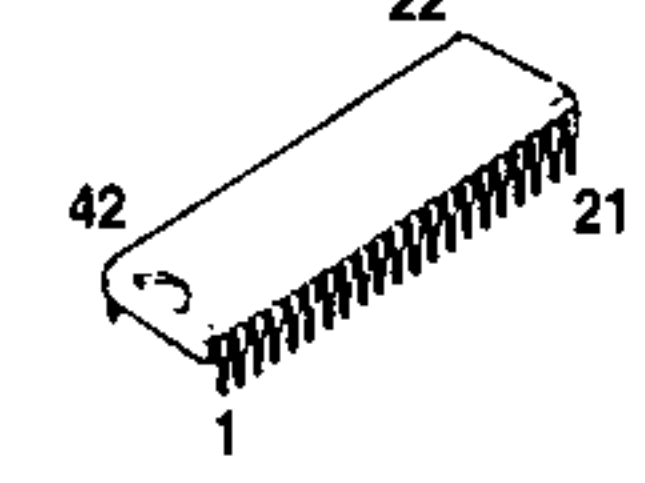
NJM2279D



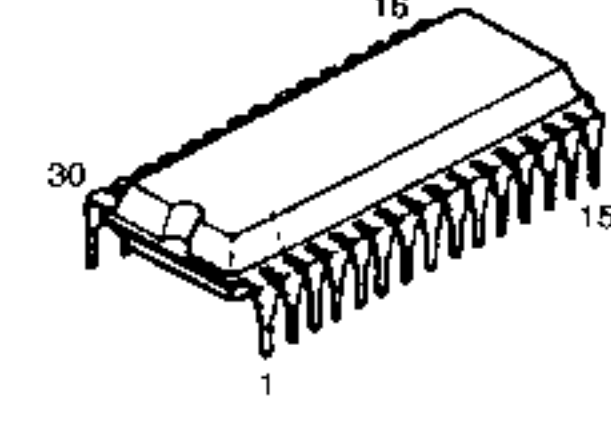
TDA7309



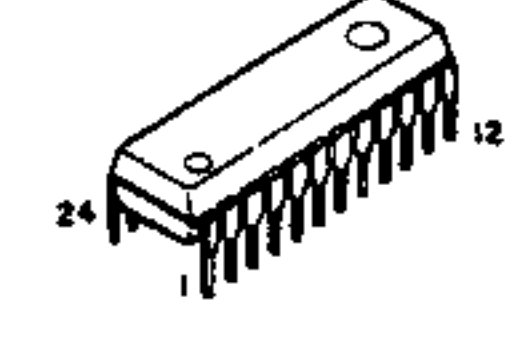
TDA7466



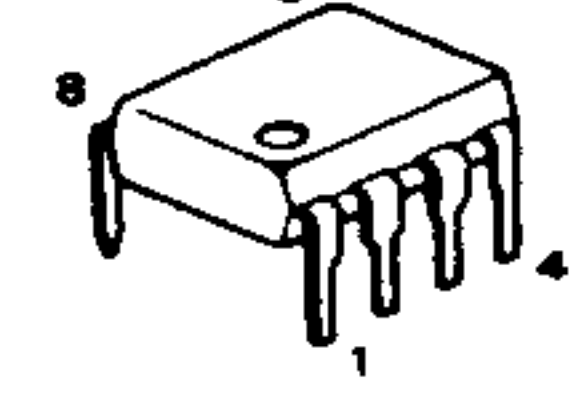
LA1836



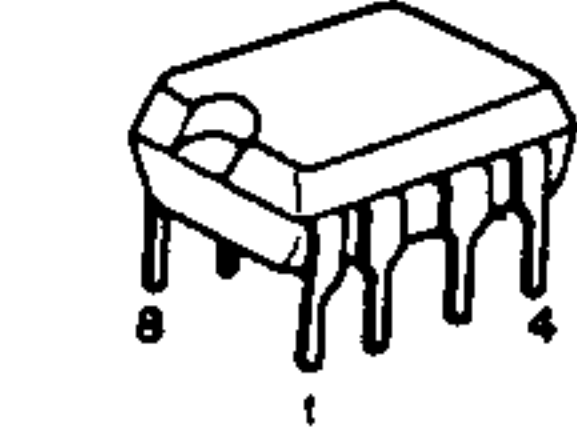
LA1832 LV1016



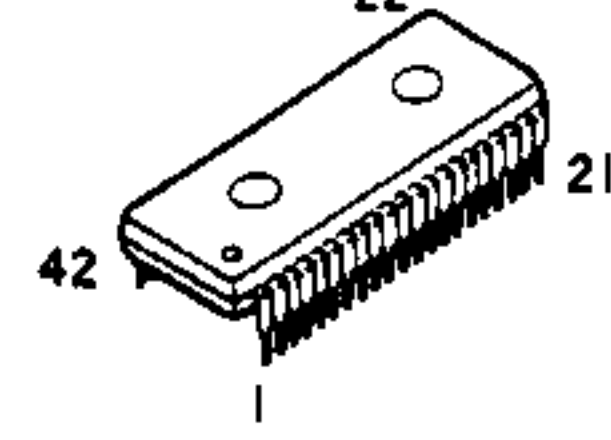
NJM4558D NJM4565D-D



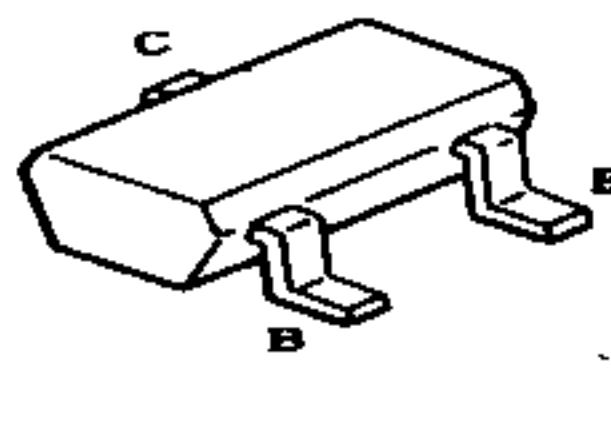
NJM4580D-D



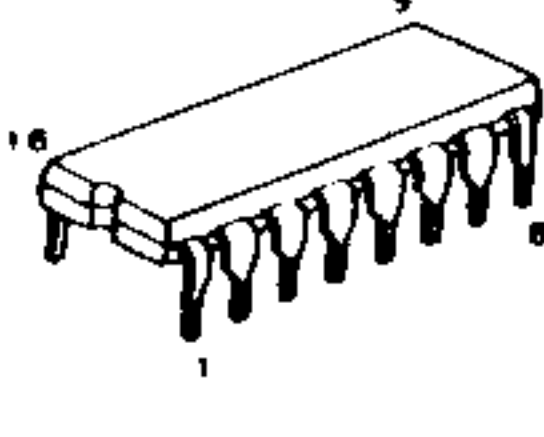
LA2786



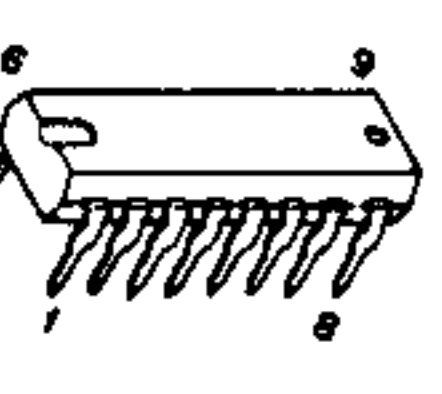
2SD1757K



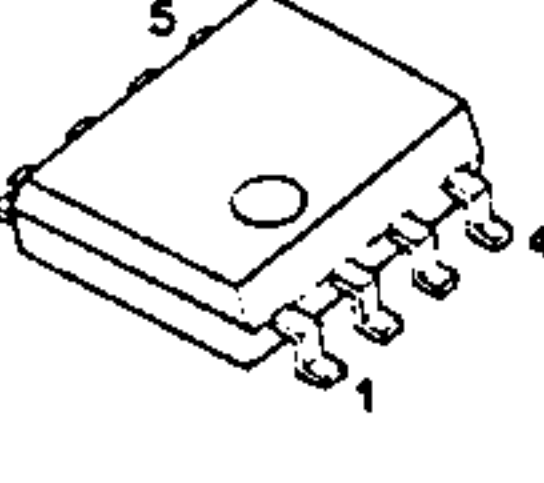
TC9215AP



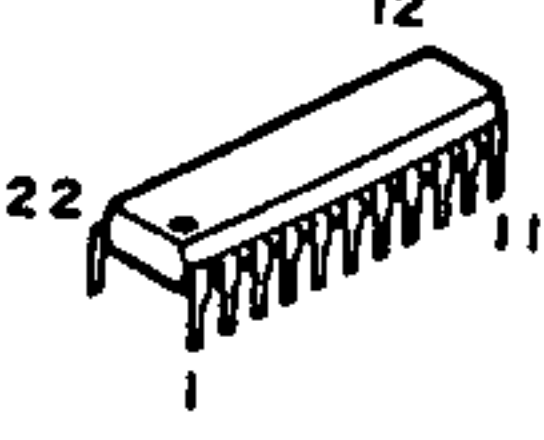
SAA6579



NJM4565M



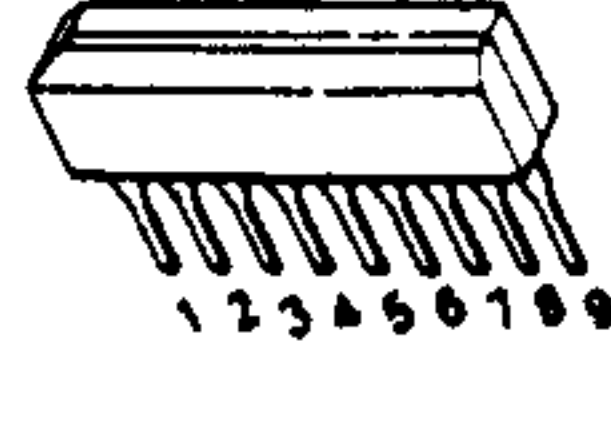
LC72131



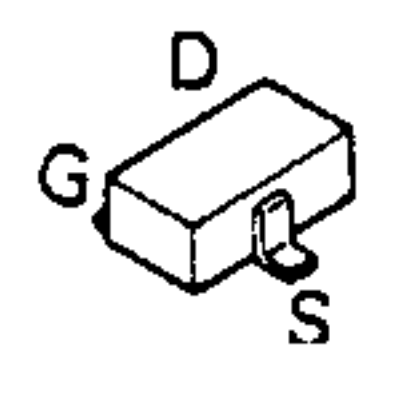
NJU7311AL NJU7312AL



TA8409S



2SK302

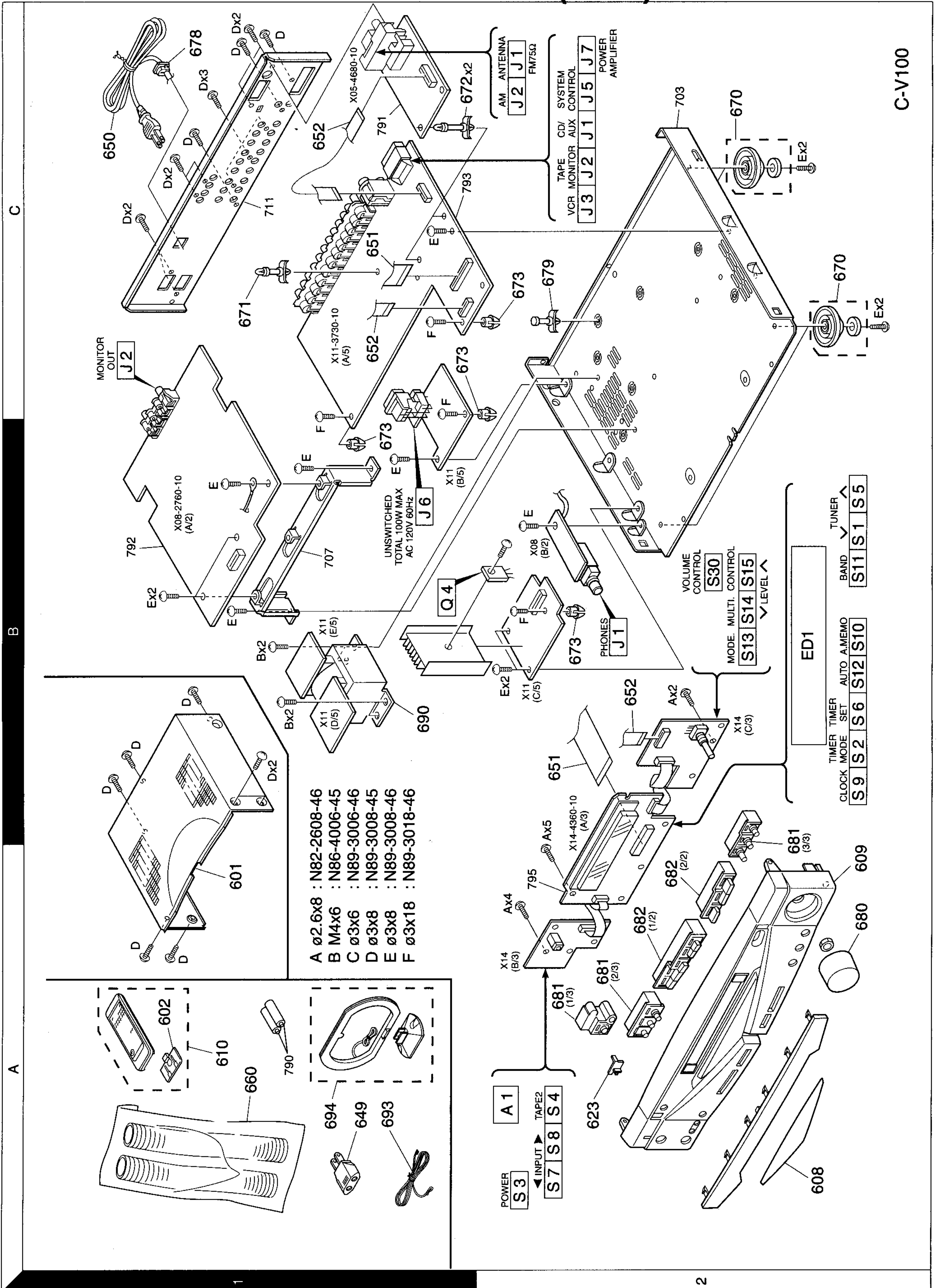


C-V100/V150/V300/V350

Y05-3370-10

KENWOOD

EXPLODED VIEW(UNIT)



C-V100

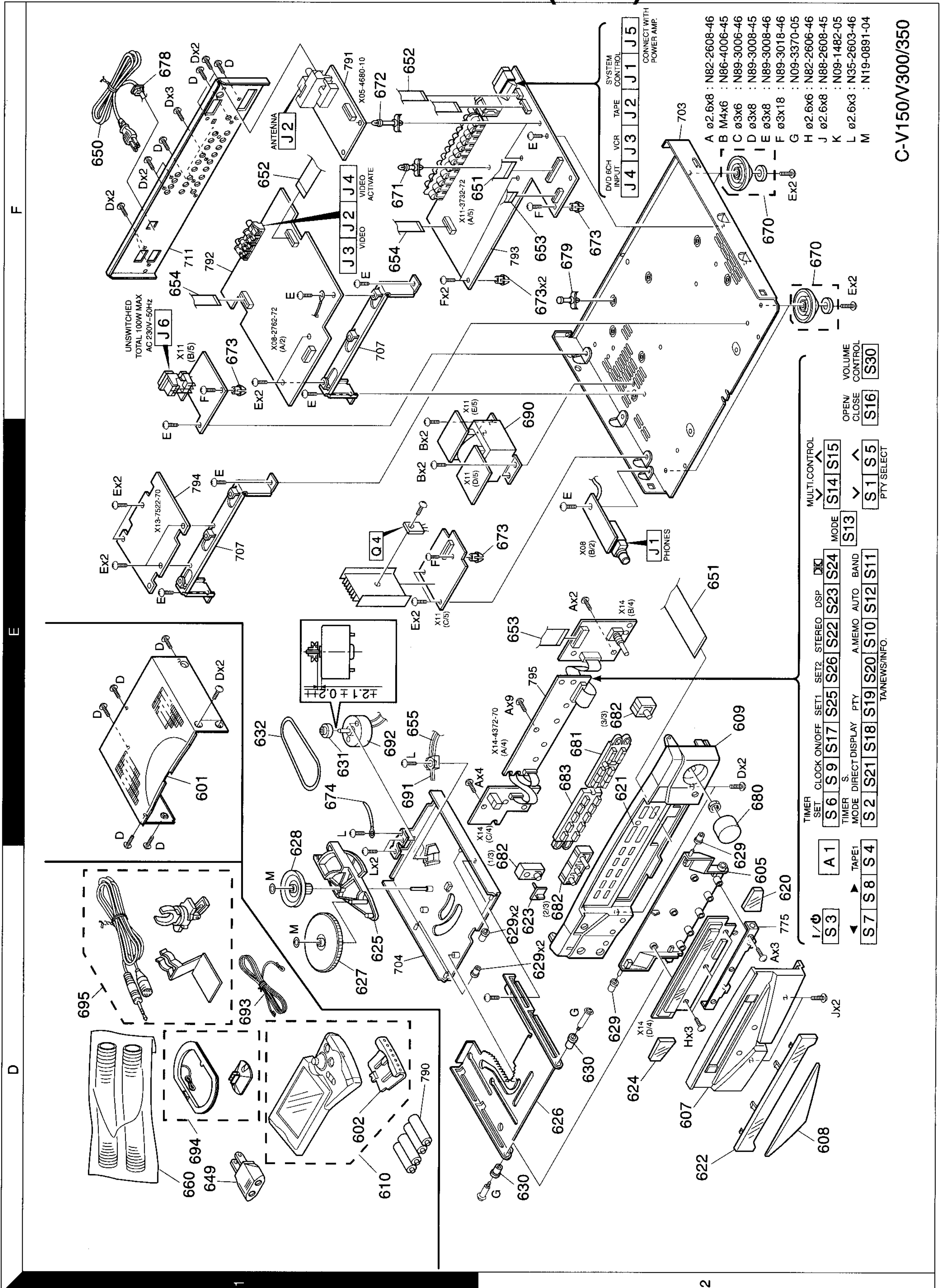
- A Ø2.6x8 : N82-2608-46
- B M4x6 : N86-4006-45
- C Ø3x6 : N89-3006-46
- D Ø3x8 : N89-3008-45
- E Ø3x8 : N89-3008-46
- F Ø3x18 : N89-3018-46

POWER S3
 INPUT TAPE2 S7 S8 S4
 A1

TIMER TIMER SET AUTO A.MEMO S9 S2 S6 S12 S10
 CLOCK MODE S11 S1 S5
 BAND TUNER
 VOLUME CONTROL S30
 MODE. MULTI. CONTROL S13 S14 S15
 LEVEL
 ED1

C-V100/V150/V300/V350

EXPLODED VIEW(UNIT)



C-V150/V300/350

PARTS LIST

1
 * New Parts
 Parts without **Parts No.** are not supplied.
 Les articles non mentionnés dans le **Parts No.** ne sont pas fournis.
 Teile ohne **Parts No.** werden nicht geliefert.

Ref. No	Add-ress	New Parts	Parts No.	Description	Desti-nation	Re-marks
C-V100						
601	1A	*	A01-3432-01	METALLIC CABINET	YMICX	
602	1A	*	A09-0378-08	BATTERY COVER	KP	
608	2A	*	A21-1952-03	DRESSING PANEL	KPY	
609	2A	*	A60-1142-01	PANEL	MICX	
609	2A	*	A60-1168-01	REMOTE CONTROL ASSY(RC-S503)	YMICX	
610	1A	*	A70-1150-05	REMOTE CONTROL ASSY(RGC-100)	KP	
610	1A	*	A70-1159-05	FRONT GLASS	KPY	
622	2A	*	B10-2347-02	FRONT GLASS	MICX	
622	2A	*	B10-2385-02	INDICATOR	X	
623	2A	*	B12-0311-04	WARRANTY CARD	C	
-	-	-	B46-0096-53	WARRANTY CARD	X	
-	-	-	B46-0326-03	WARRANTY CARD	C	
-	-	-	B46-0328-03	WARRANTY CARD	KY	
-	-	-	B46-0336-03	WARRANTY CARD	P	
-	-	-	B58-0513-04	CAUTION CARD (PRESET220-240)	Y	
-	-	-	B58-0964-13	CAUTION CARD (UL)	KY	
-	-	-	B58-0965-13	CAUTION CARD	X	
-	-	-	B58-0966-13	CAUTION CARD	MI	
-	-	-	B58-0967-03	CAUTION CARD (PL)	P	
-	-	-	B58-1546-03	CAUTION CARD	C	
-	-	-	B59-1104-00	SERVICE DIRECTORY	Y	
-	-	-	B59-1121-03	SUB-INSTRUCTION MANUAL		
-	-	-	B59-1122-03	SUB-INSTRUCTION MANUAL	P	
-	-	-	B59-1123-03	SUB-INSTRUCTION MANUAL	C	
-	-	-	B59-1129-03	SUB-INSTRUCTION MANUAL	MI	
-	-	-	B59-1130-03	SUB-INSTRUCTION MANUAL	M	
-	-	-	B59-1131-03	SUB-INSTRUCTION MANUAL		
-	-	-	B60-3198-00	INSTRUCTION MANUAL(ENG)	P	
-	-	-	B60-3199-00	INSTRUCTION MANUAL(FRN)	M	
-	-	-	B60-3200-00	INSTRUCTION MANUAL(SPN)	M	
-	-	-	B60-3201-00	INSTRUCTION MANUAL(TWN)	C	
-	-	-	B60-3202-00	INSTRUCTION MANUAL(CHN)		
649	1A	*	E03-0115-05	AC PLUG ADAPTER	MI	
650	1C	*	E30-2592-15	AC POWER CORD	MI	
650	1C	*	E30-2717-05	AC POWER CORD	X	
650	1C	*	E30-2787-05	AC POWER CORD	KP	
650	1C	*	E30-2789-05	AC POWER CORD	Y	
650	1C	*	E30-2830-05	AC POWER CORD	C	
651	2B	*	E35-1772-05	FLAT CABLE (31P)		
652	1C	*	E35-1774-05	FLAT CABLE (15P)		
660	1A	*	F07-1602-04	COVER		
-	-	-	H10-7286-02	POLYSTYRENE FOAMED FIXTURE	KPY	
-	-	-	H10-7287-02	POLYSTYRENE FOAMED FIXTURE	JPY	
-	-	-	H10-7371-02	POLYSTYRENE FOAMED FIXTURE	MICX	
-	-	-	H10-7372-02	POLYSTYRENE FOAMED FIXTURE	MICX	
-	-	-	H13-0281-04	CARTON BOARD	X	
-	-	-	H25-0232-04	PROTECTION BAG (235X350X0.03)		
-	-	-	H25-1516-04	PROTECTION BAG	KPY	
-	-	-	H30-0100-04	ADHESIVE DOUBLE-COATED TAPE	MICX	
-	-	-	H30-0602-04	ADHESIVE DOUBLE-COATED TAPE	KPY	
-	-	-	H50-2334-04	ITEM CARTON CASE	MICX	

L : Scandinavia
 Y : PX(Far East, Hawaii)
 Y : AAFES(Europe)
 K : USA
 T : Europe
 X : Australia
 P : Canada
 E : Europe
 M : Other Areas
 R : Mexico
 G : Germany
 Q : Russia
 Δ indicates safety critical components.

2
 * New Parts
 Parts without **Parts No.** are not supplied.
 Les articles non mentionnés dans le **Parts No.** ne sont pas fournis.
 Teile ohne **Parts No.** werden nicht geliefert.

Ref. No	Add-ress	New Parts	Parts No.	Description	Desti-nation	Re-marks
-	-	-	H50-2483-04	ITEM CARTON CASE	MI	
-	-	-	H50-2484-04	ITEM CARTON CASE	C	
-	-	-	H50-2519-04	ITEM CARTON CASE	X	
670	2C	*	J02-1188-03	FOOT	KPY	
670	2C	*	J02-1189-03	FOOT	MICX	
671	1C	*	J19-3331-05	UNIT HOLDER		
672	1C	*	J19-3642-05	UNIT HOLDER		
673	2B,1C	*	J19-3732-04	UNIT HOLDER	KPY	
673	2B,1C	*	J19-3751-04	UNIT HOLDER	MICX	
678	1C	*	J42-0083-05	POWER CORD BUSHING		
679	2C	*	J19-2598-05	UNIT HOLDER	KPY	
-	-	-	J61-0098-05	WIRE BAND	MICX	
-	-	-	J61-0307-05	WIRE BAND		
680	2A	*	K29-6660-04	KNOB	KPY	
681	2A	*	K29-6661-02	KNOB	MICX	
681	2A	*	K29-6779-02	KNOB	KPY	
682	2A	*	K29-6662-02	KNOB	MICX	
682	2A	*	K29-6780-02	KNOB	MICX	
690	1B	*	L07-2327-05	POWER TRANSFORMER	KP	
690	1B	*	L07-2328-05	POWER TRANSFORMER	Y	
690	1B	*	L07-2331-05	POWER TRANSFORMER	CX	
690	1B	*	L07-2332-05	POWER TRANSFORMER	MI	
693	1A	*	T90-0809-05	LEAD WIRE ANTENNA	MICX	
693	1A	*	T90-0810-05	LEAD WIRE ANTENNA	KPY	
694	1A	*	T90-0820-05	LOOP ANTENNA		
C-V150/V300/V350						
601	1B	*	A01-3432-01	METALLIC CABINET	ET	
602	1A	*	A09-0378-08	BATTERY COVER (V150)	ETMICX	
602	1A	*	A09-0379-08	BATTERY COVER (V300/350)		
605	2A	*	A46-0303-01	REAR COVER	ET	
607	2A	*	A29-0861-01	PANEL	ET	
607	2A	*	A29-0881-01	PANEL	MICX	
608	2A	*	A21-1953-03	DRESSING PANEL (V150)	ET	
608	2A	*	A21-1954-03	DRESSING PANEL	MICX	
608	2A	*	A21-1955-03	DRESSING PANEL (V350)	ET	
609	2B	*	A60-1144-01	PANEL	ET	
609	2B	*	A60-1145-01	PANEL	MICX	
610	1A	*	A70-1136-05	REMOTE CONTROLLER ASSY(V150)	ET	
610	1A	*	A70-1137-05	REMOTE CONTROLLER ASSY(V350)	ET	
610	1A	*	A70-1159-05	REMOTE CONTROLLER ASSY(V300)	MICX	
620	2A	*	B10-2384-04	FRONT GLASS	MICX	
621	2B	*	B03-3802-13	DRESSING PLATE	MICX	
621	2B	*	B03-3803-03	DRESSING PLATE	ET	
622	2A	*	B10-2349-02	FRONT GLASS	ET	
622	2A	*	B10-2382-02	FRONT GLASS	MICX	
623	2A	*	B12-0311-04	INDICATOR	ET	
624	2A	*	B10-2350-04	FRONT GLASS	MICX	
624	2A	*	B10-2383-04	FRONT GLASS	ET	
625	2A	*	B10-2351-04	FRONT GLASS	ET	
-	-	-	B46-0096-53	WARRANTY CARD	X	
-	-	-	B46-0310-03	WARRANTY CARD	ET	
-	-	-	B46-0326-03	WARRANTY CARD	C	
-	-	-	B58-0945-03	CAUTION CARD	T	
-	-	-	B58-0965-13	CAUTION CARD (PL)	T	

L : Scandinavia
 Y : PX(Far East, Hawaii)
 Y : AAFES(Europe)
 K : USA
 T : Europe
 X : Australia
 P : Canada
 E : Europe
 M : Other Areas
 R : Mexico
 G : Germany
 Q : Russia
 Δ indicates safety critical components.

C-V100/V150/V300/V350

PARTS LIST

* New Parts
Parts without **Parts No.** are not supplied.
Les articles non mentionnés dans le **Parts No.** ne sont pas fournis.
Teile ohne **Parts No.** werden nicht geliefert.

* New Parts
Parts without **Parts No.** are not supplied.
Les articles non mentionnés dans le **Parts No.** ne sont pas fournis.
Teile ohne **Parts No.** werden nicht geliefert.

Ref. No	Add-ress	New Parts	Parts No.	Description	Desti-nation	Re-marks
-			H20-0568-04	PROTECTION COVER	MIC	
-			H25-0232-04	PROTECTION BAG (235X350X0.03)	E	
-			H25-0651-04	PROTECTION BAG (0232)	T	
-			H25-1516-04	PROTECTION BAG	ET	
-			H30-0100-04	ADHESIVE DOUBLE-COATED TAPE	ET	
-		*	H30-0602-04	ADHESIVE DOUBLE-COATED TAPE	MICX	
-		*	H50-2386-04	ITEM CARTON CASE(V350)	E	
-		*	H50-2387-04	ITEM CARTON CASE(V350)	T	
-		*	H50-2439-04	ITEM CARTON CASE(V150)	T	
-		*	H50-2482-04	ITEM CARTON CASE(V150)	E	
-		*	H50-2486-04	ITEM CARTON CASE	MI	
-		*	H50-2487-04	ITEM CARTON CASE	C	
-		*	H50-2520-04	ITEM CARTON CASE	X	
670			J02-1188-03	FOOT	ET	
670	2C	*	J02-1189-03	FOOT	MICX	
671	2C	*	J19-3331-05	UNIT HOLDER	.	
672	1C	*	J19-3642-05	UNIT HOLDER	ET	
673	1C	*	J19-3732-04	UNIT HOLDER	ET	
673	2B,1C	*	J19-3751-04	UNIT HOLDER	MICX	
674	1B	*	J19-5833-05	LEAD HOLDER		
678	1C	*	J42-0083-05	POWER CORD BUSHING		
679	2C	*	J19-2598-05	UNIT HOLDER	ET	
-			J61-0098-05	WIRE BAND		
-			J61-0307-05	WIRE BAND	MICX	
680	2B		K29-6660-04	KNOB	ET	
681	2B		K29-6664-02	KNOB	MICX	
681	2B	*	K29-6775-02	KNOB	MICX	
682	2A,2B	*	K29-6665-02	KNOB	MICX	
682	2A,2B	*	K29-6776-02	KNOB	MICX	
683	2B	*	K29-6666-02	KNOB	ET	
683	2B	*	K29-6668-02	KNOB	MICX	
690	2C	*	L07-2329-05	POWER TRANSFORMER	MI	
690	2C	*	L07-2330-05	POWER TRANSFORMER	ET	
690	2C	*	L07-2333-05	POWER TRANSFORMER	CX	
691	1B		S64-0026-05	LEVER SWITCH		
692	1B		T42-0882-05	DC MOTOR		
693	1A		T90-0809-05	LEAD WIRE ANTENNA		
693	1A		T90-0810-05	LEAD WIRE ANTENNA		
694	1A		T90-0820-05	LOOP ANTENNA		
695	1A		W01-0935-05	MICROPHONE	ET	
TUNER(X05-4670-20)						
C1 ,2			CK73FB1H103K	CHIP C		0.010UF K
C5			CK73FB1H102K	CHIP C		1000PF K
C8			CK73FB1H103K	CHIP C		0.010UF K
C9			CE04LW1C100M	ELECTRO		10UF 16WV K
C10			CK73FB1H473K	CHIP C		0.047UF K
C11			CE04LW1H010M	ELECTRO		1.0UF 50WV K
C12			CE04LW1H2R2M	ELECTRO		2.2UF 50WV K
C13			CK73FB1H102K	CHIP C		1000PF K
C14			CE04LW1H010M	ELECTRO		1.0UF 50WV J
C15			CC73FCH1H220J	CHIP C		22PF J

L : Scandinavia
Y : PX(Far East, Hawaii)
Y : AAFES(Europe)

K : USA
T : Europe
X : Australia

P : Canada
E : Europe
M : Other Areas

R : Mexico
G : Germany
O : Russia

△ indicates safety critical components.

Ref. No	Add-ress	New Parts	Parts No.	Description	Desti-nation	Re-marks
-			B58-0966-13	CAUTION CARD (PL)	E	
-			B58-1546-03	CAUTION CARD	C	
-			B59-1121-03	SUB-INSTRUCTION MANUAL	MICX	
-			B59-1122-03	SUB-INSTRUCTION MANUAL(ENG)	E	
-			B59-1124-03	SUB-INSTRUCTION MANUAL(FRN)	E	
-			B59-1125-03	SUB-INSTRUCTION MANUAL(GRN)	E	
-			B59-1126-03	SUB-INSTRUCTION MANUAL(NTH)	E	
-			B59-1127-03	SUB-INSTRUCTION MANUAL(ITL)	E	
-			B59-1128-03	SUB-INSTRUCTION MANUAL (V150)	E	
-			B59-1129-03	SUB-INSTRUCTION MANUAL(CHN)	C	
-		*	B59-1130-03	SUB-INSTRUCTION MANUAL(TLN)	MI	
-		*	B59-1131-03	SUB-INSTRUCTION MANUAL(SPN)	M	
-		*	B59-1133-03	SUB-INSTRUCTION MANUAL(ENG)	T	
-		*	B60-3198-00	INSTRUCTION MANUAL(ENG)	M	
-		*	B60-3200-00	INSTRUCTION MANUAL(SPN)	M	
-		*	B60-3201-00	INSTRUCTION MANUAL(TWN)	MI	
-		*	B60-3202-00	INSTRUCTION MANUAL(CHN)	C	
-		*	B60-3203-00	INSTRUCTION MANUAL(ENG)	T	
-		*	B60-3204-00	INSTRUCTION MANUAL(FRN)	E	
-		*	B60-3205-00	INSTRUCTION MANUAL(NTH)	E	
-		*	B60-3206-00	INSTRUCTION MANUAL(ITL)	E	
-		*	B60-3207-00	INSTRUCTION MANUAL(V150)(SPN)	E	
-		*	B60-3208-00	INSTRUCTION MANUAL(GRN)	E	
625	1A		D10-3715-04	ARM ASSY		
626	2A		D10-3716-01	SLIDER		
627	1A		D13-1807-04	GEAR		
628	1A		D13-1808-03	GEAR		
629	2A		D14-0385-04	ROLLER		
630	2A		D14-0386-04	ROLLER		
631	1B		D15-0407-04	MOTOR PULLEY		
632	1B		D16-0715-03	BELT		
649	1A		E03-0115-05	AC PLUG ADAPTER	MI	
650	1C		E30-2592-15	AC POWER CORD	MI	
650	1C		E30-2717-05	AC POWER CORD	X	
650	1C		E30-2788-05	AC POWER CORD	E	
650	1C		E30-2791-05	AC POWER CORD	T	
650	1C		E30-2830-05	AC POWER CORD	C	
651	2B	*	E35-1773-05	FLAT CABLE		
652	1C	*	E35-1774-05	FLAT CABLE (15P)		
653	2B,2C	*	E35-1775-05	FLAT CABLE	MICX	
653	2B,2C	*	E35-1861-05	FLAT CABLE	ET	
654	1C	*	E35-1781-05	FLAT CABLE		
655	1B	*	E35-1810-05	WIRING HARNESS		
660	1A		F07-1602-04	COVER		
-			G11-0153-04	SOFT TAPE (80X12X3)		
-			H10-7286-02	POLYSTYRENE FOAMED FIXTURE	E	
-			H10-7287-02	POLYSTYRENE FOAMED FIXTURE	E	
-			H10-7288-02	POLYSTYRENE FOAMED FIXTURE	T	
-			H10-7289-02	POLYSTYRENE FOAMED FIXTURE	T	
-		*	H10-7371-02	POLYSTYRENE FOAMED FIXTURE	MICX	
-		*	H10-7372-02	POLYSTYRENE FOAMED FIXTURE	MICX	
-		*	H13-0281-04	CARTON BOARD	X	

L : Scandinavia
Y : PX(Far East, Hawaii)
Y : AAFES(Europe)

K : USA
T : Europe
X : Australia

P : Canada
E : Europe
M : Other Areas

R : Mexico
G : Germany
O : Russia

△ indicates safety critical components.

C-V100/V150/V300/V350

PARTS LIST

* New Parts
Parts without **Parts No.** are not supplied.
Les articles non mentionnés dans le **Parts No.** ne sont pas fournis.
Teile ohne **Parts No.** werden nicht geliefert.

Ref. No	Add-ress	New Parts	Parts No.	Description	Desti-nation	Re-marks
Q5			2SC4116(Y,GR)	TRANSISTOR		
Q6			2SD1819A(Q,R)	TRANSISTOR		
Q7			2SA1576A(R,S)	TRANSISTOR		
Q8			2SA1586(Y,GR)	TRANSISTOR		
Q9			2SB1218A(Q,R)	TRANSISTOR		
Q7_8			2SD1757K	TRANSISTOR	YMIC	
Q7_8			2SD2114K	TRANSISTOR	YMIC	
Q9_10			2SC4081(R,S)	TRANSISTOR		
Q9_10			2SC4116(Y,GR)	TRANSISTOR		
Q9_10			2SD1819A(Q,R)	TRANSISTOR		
A1			W02-2582-05	FM FRONT-END ASSY		
TUNER(X05-4680-10)						
C1			CE04LW1C470M	ELECTRO		
C2			CE04LW1H010M	ELECTRO		
C3			CK73FB1H103K	CHIP C	ET	
C5			CK73FB1H103K	CHIP C		
C6 -10			CK73FB1H103K	CHIP C		
C30			CK73EB1E473K	CHIP C		
C31			CE04LW1C470M	ELECTRO		
C32			CK73FB1H103K	CHIP C		
C33			CE04LW1C100M	ELECTRO		
C34			CK73FB1H103K	CHIP C		
C35			CE04LW1C100M	ELECTRO		
C36			CK73FB1E473K	CHIP C		
C37			CK73FB1H103K	CHIP C		
C38			C90-3217-05	ELECTRO		
C40			C90-3253-05	ELECTRO		
C41			C90-3251-05	ELECTRO		
C42			C90-3240-05	ELECTRO		
C43			CE04LW1HR47M	ELECTRO		
C44			CK73FB1E473K	CHIP C		
C45			CC73FCH1H220J	CHIP C		
C46			CE04LW1A101M	ELECTRO		
C47			CK73FB1H472K	CHIP C		
C48			CC73FSL1H101J	CHIP C		
C49			CE04LW1H010M	ELECTRO		
C50			CK73FB1H152K	CHIP C		
C51_52			C90-3217-05	ELECTRO		
C53_54			CK73FB1H223K	CHIP C		
C55_54			CK73FB1H333K	CHIP C		
C55_56			CE04LW1H2R2M	ELECTRO		
C57_58			CK73FB1H822K	CHIP C		
C59			CC73FSL1H101J	CHIP C		
C60			CK73FB1E104K	CHIP C		
C61			CK73FB1H103K	CHIP C		
C62			CK73FB1H333K	CHIP C		
C63			CC73FCH1H090D	CHIP C		
C64			CK73FB1H333K	CHIP C		
C66			CC73FCH1H060D	CHIP C		
C67			CC73FCH1H220J	CHIP C		
C68			CC73FSL1H020C	CHIP C		
C70			CC73FSL1H101J	CHIP C		
C73			CK73FB1H821K	CHIP C		
C81			CC73FCH1H220J	CHIP C		

L : Scandinavia
Y : PX(Far East, Hawaii)
Y : AAFES(Europe)

K : USA
T : Europe
X : Australia

P : Canada
E : Europe
M : Other Areas

R : Mexico
G : Germany
Q : Russia

△ indicates safety critical components.

* New Parts
Parts without **Parts No.** are not supplied.
Les articles non mentionnés dans le **Parts No.** ne sont pas fournis.
Teile ohne **Parts No.** werden nicht geliefert.

Ref. No	Add-ress	New Parts	Parts No.	Description	Desti-nation	Re-marks
C82			CC73FCH1H270J	CHIP C		
C84			CK73FB1H102K	CHIP C		
C85			CK73FSL1H101J	CHIP C		
C86			CK73FB1H102K	CHIP C		
C87			CE04LW1C100M	ELECTRO		
C89			CE04LW1C470M	ELECTRO		
C90			CE04LW1H2R2M	ELECTRO		
C91			CK73FB1H223K	CHIP C		
C92			CC73FSL1H471J	CHIP C		
C93			CK73FB1H103K	CHIP C		
C96			CK73FB1H102K	CHIP C		
CN1			E40-4609-05	PIN ASSY		
CN2			E40-4871-05	PIN ASSY		
J1			E70-0052-05	LOCK TERMINAL BOARD		
CF1_2			L72-0536-05	CERAMIC FILTER	ET	
CF1_2			L72-0596-05	CERAMIC FILTER	KP	
L31			L30-0943-05	FM IFT		
L32			L30-0944-05	FM IFT		
L33			L30-0911-05	AM IFT		
L34			L79-1240-05	LC FILTER	ET	
L35_36			L79-1239-05	LC FILTER		
L61			L40-1091-17	SMALL FIXED INDUCTOR(1UH)		
L62			L39-1351-05	COMBINATION COIL	KPE	
L62			L39-1352-05	COMBINATION COIL	T	
L63			L40-1001-17	SMALL FIXED INDUCTOR(10UH,K)		
L81			L40-1091-17	SMALL FIXED INDUCTOR(1UH)		
X31			L78-0637-05	RESONATOR (456KHZ)		
X81			L77-2159-05	CRYSTAL RESONATOR(7.2MHZ)		
R1			RD14NB2E221J	RD		
R2			RK73FB2A221J	CHIP R		
R3			RK73FB2A182J	CHIP R		
R3			RK73FB2A561J	CHIP R		
R4			RK73FB2A222J	CHIP R		
R5			RK73FB2A103J	CHIP R		
R7			RK73FB2A221J	CHIP R		
R8			RK73FB2A681J	CHIP R		
R9			RK73FB2A470J	CHIP R		
R10			RK73FB2A101J	CHIP R		
R11			RK73FB2A331J	CHIP R		
R12			RK73FB2A101J	CHIP R		
R13			RK73FB2A681J	CHIP R		
R14			RK73FB2A332J	CHIP R		
R15			RK73FB2A331J	CHIP R		
R16			RK73FB2A100J	CHIP R		
R16			RK73FB2A150J	CHIP R		
R17			RK73FB2A331J	CHIP R		
R18			RK73FB2A391J	CHIP R		
R19			RK73FB2A681J	CHIP R		
R20			RK73FB2A100J	CHIP R		
R20			RK73FB2A150J	CHIP R		
R21			RK73FB2A101J	CHIP R		
R22			RK73FB2A100J	CHIP R		
R31			RS14KB3A151JFR	FL-PROOF RS		

L : Scandinavia
Y : PX(Far East, Hawaii)
Y : AAFES(Europe)

K : USA
T : Europe
X : Australia

P : Canada
E : Europe
M : Other Areas

R : Mexico
G : Germany
Q : Russia

△ indicates safety critical components.

C-V100/V150/V300/V350

PARTS LIST

* New Parts
Parts without **Parts No.** are not supplied.
Les articles non mentionnés dans le **Parts No.** ne sont pas fournis.
Teile ohne **Parts No.** werden nicht geliefert.

9

Ref. No	Add-ress	New Parts	Parts No.	Description	Desti-nation	Re-marks
R32			RK73FB2B562J	CHIP R		
R33			RK73FB2A302J	CHIP R		
R34			RK73FB2A822J	CHIP R		
R35			RK73FB2A333J	CHIP R		
R36			RK73FB2A393J	CHIP R		
R37			RK73FB2A242J	CHIP R		
R38			RK73FB2A333J	CHIP R		
R39			RK73FB2A823J	CHIP R		
R40			RK73FB2A202J	CHIP R		
R41			RK73FB2A222J	CHIP R		
R42			RK73FB2A202J	CHIP R		
R43,44			RK73FB2A222J	CHIP R	ET	
R45,46			RK73FB2A102J	CHIP R		
R47,48			RK73FB2A392J	CHIP R		
R49			RK73FB2A473J	CHIP R		
R51			RK73FB2A392J	CHIP R		
R52			RK73FB2A104J	CHIP R		
R53			RK73FB2A102J	CHIP R		
R55			RK73FB2A562J	CHIP R		
R56,57			RK73FB2A101J	CHIP R		
R59			RK73FB2A272J	CHIP R		
R61			RK73FB2A223J	CHIP R	T	
R62			RK73FB2A105J	CHIP R	T	
R63			RK73FB2A473J	CHIP R	T	
R64			RK73FB2A103J	CHIP R	T	
R65			RK73FB2A153J	CHIP R	T	
R66			RK73FB2A152J	CHIP R	T	
R67			RK73FB2A104J	CHIP R	T	
R68			RK73FB2A222J	CHIP R	T	
R69			RK73FB2A103J	CHIP R	T	
R70			RK73FB2A105J	CHIP R	T	
R80			RK73FB2B102J	CHIP R		
R81-83			RK73FB2A102J	CHIP R		
R84			RK73FB2A103J	CHIP R		
R85-88			RK73FB2A102J	CHIP R		
R89			RD14NB2E101J	RD		
R90			RK73FB2A562J	CHIP R		
R91			RK73FB2A222J	CHIP R		
R92			RK73FB2A123J	CHIP R		
R93			RK73FB2A122J	CHIP R		
R94			RD14NB2E561J	RD		
R101,102			RK73FB2A102J	CHIP R		
R103			RK73FB2A821J	CHIP R		
R104			RK73FB2A473J	CHIP R		
R105			RK73FB2A822J	CHIP R		
W51,52			R92-0670-05	CHIP R	KPE	
W53			R92-0670-05	CHIP R	KPE	
W54,55			R92-0670-05	CHIP R	T	
W56			R92-0679-05	CHIP R		
W57,58			R92-0679-05	CHIP R		
W59			R92-0670-05	CHIP R		
W61			R92-0670-05	CHIP R		
W62-64			R92-0679-05	CHIP R		
W66,67			R92-0679-05	CHIP R		
W71			R92-0670-05	CHIP R		

L : Scandinavia
Y : PX(Far East, Hawaii)
Y : AAFES(Europe)

K : USA
T : Europe
X : Australia

P : Canada
E : Europe
M : Other Areas

R : Mexico
G : Germany
Q : Russia

△ indicates safety critical components.

* New Parts
Parts without **Parts No.** are not supplied.
Les articles non mentionnés dans le **Parts No.** ne sont pas fournis.
Teile ohne **Parts No.** werden nicht geliefert.

10

Ref. No	Add-ress	New Parts	Parts No.	Description	Desti-nation	Re-marks
W75			R92-0670-05	CHIP R	T	
W76			R92-0670-05	CHIP R		
W81			R92-0679-05	CHIP R		
W83			R92-0679-05	CHIP R		
W85			R92-0670-05	CHIP R	ET	
D1			HSS104	DIODE		
D1			1SS133	DIODE		
D2			HSS104	DIODE	ET	
D2			1SS133	DIODE	ET	
D31			HZS8.2N(B2)	ZENER DIODE		
D31			RD8.2ES(B2)	ZENER DIODE		
D32			HSS104	DIODE		
D32			1SS133	DIODE		
D61,62			HSS104	DIODE		
D61,62			1SS133	DIODE		
D81			HZS5.1N(B2)	ZENER DIODE		
D81			RD5.1ES(B2)	ZENER DIODE		
D101			HZS3.3N(B2)	ZENER DIODE		
D101			RD3.3ES(B2)	ZENER DIODE		
D102			HZS2.7N(B2)	ZENER DIODE		
D102			RD2.7ES(B2)	ZENER DIODE		
IC1			LA1836	ANALOGUE IC		
IC2			LC72131	MOS-IC		
Q1,2			2SC4081(R,S)	TRANSISTOR		
Q1,2			2SC4116(Y,GR)	TRANSISTOR		
Q3			2SA1576A(R,S)	TRANSISTOR		
Q3			2SA1586(Y,GR)	TRANSISTOR		
Q4			2SC4081(R,S)	TRANSISTOR		
Q4			2SC4116(Y,GR)	TRANSISTOR		
Q31,32			2SC4081(R,S)	TRANSISTOR		
Q31,32			2SC4116(Y,GR)	TRANSISTOR		
Q33,34			2SC4081(R,S)	TRANSISTOR	ET	
Q33,34			2SC4116(Y,GR)	TRANSISTOR	ET	
Q33,34			2SC4081(R,S)	TRANSISTOR	T	
Q61,62			2SC4116(Y,GR)	TRANSISTOR	T	
Q61,62			2SC4081(R,S)	TRANSISTOR	T	
Q63			2SC2878(B)	TRANSISTOR	T	
Q64			2SA1576A(R,S)	TRANSISTOR	T	
Q64			2SA1586(Y,GR)	TRANSISTOR	T	
Q65			2SK302(Y,GR)	FET	T	
Q81			2SA1576A(R,S)	TRANSISTOR	T	
Q81			2SA1586(Y,GR)	TRANSISTOR	T	
Q101,102			2SD1757K	TRANSISTOR		
Q103			2SA1576A(R,S)	TRANSISTOR		
Q103			2SA1586(Y,GR)	TRANSISTOR		
A1			W02-2582-05	FM FRONT-END ASSY	KP	
A1			W02-2584-05	FM FRONT-END ASSY	ET	

L : Scandinavia
Y : PX(Far East, Hawaii)
Y : AAFES(Europe)

K : USA
T : Europe
X : Australia

P : Canada
E : Europe
M : Other Areas

R : Mexico
G : Germany
Q : Russia

△ indicates safety critical components.

PRE(X08-2760-10 / X08-2810-20)

C1-4	35		CF92FV1H104J	MF-O		
C5,6	35		CE04KW1H220M	ELECTRO		
C7,8			CE04KW1A101M	ELECTRO	J	50WV
C11,12			CK45FB1H102K	CERAMIC	K	10WV
C13,14			CE04KW1H100M	ELECTRO		50WV
C15,16			CE04KW1H3R3M	ELECTRO		50WV
C17-21			CC45FSL1H101J	CERAMIC	J	

* New Parts
Parts without **Parts No.** are not supplied.
Les articles non mentionnés dans le **Parts No.** ne sont pas fournis.
Teile ohne **Parts No.** werden nicht geliefert.

11

Ref. No	Add-ress	New Parts	Parts No.	Description	Desti-nation	Re-marks
C22	35		CC45FSL1H101J	CERAMIC		
C23			CC45FSL1H101J	CERAMIC		
C24	35		CC45FSL1H101J	CERAMIC		
C27			CC45FB1H102K	CERAMIC		
C28	35		CK45FB1H102K	CERAMIC		
C29	15		CE04KW1H0R1M	ELECTRO		
C29	35		CE04KW1H100M	ELECTRO		
C30	35		CE04KW1H100M	ELECTRO		
C31 ,32			CC45FSL1H101J	CERAMIC		
C34			CK45FB1H102K	CERAMIC		
C35	15		CE04KW1H0R1M	ELECTRO		
C35	35		CE04KW1H100M	ELECTRO		
C36			CE04KW1H2R2M	ELECTRO		
C37			CE04KW1C220M	ELECTRO		
C39			CE04KW1C220M	ELECTRO		
C40	350		CE04KW1C220M	ELECTRO	ET	
C41			CE04KW1H2R2M	ELECTRO		
C43			CF92FV1H224J	MF-C		
C44			CQ93FMG1H333J	MYLAR		
C45			CF92FV1H564J	MF-C		
C46			CK45FB1H102K	CERAMIC		
C47			CE04KW1H220M	ELECTRO		
C48			CE04KW1C330M	ELECTRO		
C49			CE04KW1H2R2M	ELECTRO		
C50	35		CE04KW1H2R2M	ELECTRO		
C51			CK45FF1H103Z	CERAMIC		
C52			CE04HW1E100M	NP-ELEC		
C52			CE04HW1H010M	NP-ELEC		
C55			CK45FF1H103Z	CERAMIC		
C56			CE04KW1H010M	ELECTRO		
C61 ,62			CE04KW1H010M	ELECTRO		
C63 ,64			CE04KW1H220M	ELECTRO		
C67 ,68			CK45FF1H472Z	CERAMIC		
C69 ,70			CE04KW1H010M	ELECTRO		
C71			CQ93FMG1H103J	MYLAR		
C72			CQ93FMG1H102J	MYLAR		
C73			CQ93FMG1H103J	MYLAR		
C74			CQ93FMG1H102J	MYLAR		
C75			CQ93FMG1H103J	MYLAR		
C76			CQ93FMG1H102J	MYLAR		
C77	35		CQ93FMG1H103J	MYLAR		
C78	35		CQ93FMG1H102J	MYLAR		
C79			CQ93FMG1H103J	MYLAR		
C80			CQ93FMG1H391K	MYLAR		
C81 ,82			CE04KW1H2R2M	ELECTRO		
C83 ,84			CE04KW1H100M	ELECTRO		
C85 ,86			CE04KW1H010M	ELECTRO		
C87 ,88			CQ93FMG1H562J	MYLAR		
C89 -92			CF92FV1H104J	MF-C		
C93 ,94			CQ93FMG1H223J	MYLAR		
C95 ,96			CQ93FMG1H183J	MYLAR		
C97 ,98			CE04KW1H2R2M	ELECTRO		
C99			CE04KW1C470M	ELECTRO		
C101			CE04KW1V4R7M	ELECTRO		
C104			CF92FV1H104J	MF-C		

L : Scandinavia
Y : PX(Far East, Hawaii)
Y : AAFES(Europe)
K : USA
T : Europe
X : Australia
P : Canada
E : Europe
M : Other Areas
R : Mexico
G : Germany
Q : Russia
3 : C-V300
10 : C-V100
15 : C-V100/V150
35 : C-V300
350 : C-V350

▲ indicates safety critical components.

C-V100/V150/V300/V350

PARTS LIST

* New Parts
Parts without **Parts No.** are not supplied.
Les articles non mentionnés dans le **Parts No.** ne sont pas fournis.
Teile ohne **Parts No.** werden nicht geliefert.

12

Ref. No	Add-ress	New Parts	Parts No.	Description	Desti-nation	Re-marks
C105,106	35		CC45FSL1H100D	CERAMIC		
C105,106	15		CC45FSL1H101J	CERAMIC		
C107,108			CC45FSL1H101J	CERAMIC		
C110			CC45FSL1H101J	CERAMIC		
C111	15		CE04KW1H010M	ELECTRO		
C111	35		CE04KW1H4R7M	ELECTRO		
C112,113			CC45FSL1H101J	CERAMIC		
C114	15		CE04KW1H010M	ELECTRO		
C114	35		CE04KW1H4R7M	ELECTRO		
C115	35		CE04KW1H2R2M	ELECTRO		
C116	35		CE04KW1H0R1M	ELECTRO		
C116	15		CE04KW1H2R2M	ELECTRO		
C117			CE04KW1V4R7M	ELECTRO		
C118	35		CE04KW1H0R1M	ELECTRO		
C118	15		CE04KW1H2R2M	ELECTRO		
C119	35		CE04KW1H2R2M	ELECTRO		
C121	35		CE04KW1V4R7M	ELECTRO		
C122,123			CC45FSL1H101J	CERAMIC		
C124	35		CE04KW1H4R7M	ELECTRO		
C125	35		CE04KW1H2R2M	ELECTRO		
C126	35		CE04KW1H0R1M	ELECTRO		
C127	35		CE04KW1V4R7M	ELECTRO		
C128,129	35		CE04KW1H2R2M	ELECTRO		
C131,132	35		CC45FSL1H100D	CERAMIC		
C133	35		CK45FB1H102K	CERAMIC		
C134,135	35		CK45FF1H103Z	CERAMIC		
C141,142			CC45FSL1H470J	CERAMIC		
C143			CE04HW1E100M	NP-ELEC		
C144,145			CC45FSL1H470J	CERAMIC		
C146			CE04HW1E100M	NP-ELEC		
C147	35		CC45FSL1H470J	CERAMIC		
C148	35		CE04HW1E100M	NP-ELEC		
C151,152	15		CE04KW1H100M	ELECTRO		
C153,154			CK45FF1H103Z	CERAMIC		
C155			CE04KW1C221M	ELECTRO		
C160			CC45FSL1H271J	CERAMIC		
C161			CK45FB1H471K	CERAMIC		
C162			CE04KW1H010M	ELECTRO		
C163			CK45FB1H102K	CERAMIC		
C164			CE04KW1H010M	ELECTRO		
C165			CE04KW1A101M	ELECTRO		
CN1			E40-4609-05	PIN ASSY		
CN2			E40-4902-05	FLAT CABLE CONNECTOR		
CN3			E40-4902-05	FLAT CABLE CONNECTOR		
J1			E11-0280-05	PHONE JACK		
J1			E11-0282-05	PHONE JACK		
J2			E63-0163-05	PHONO JACK		
J3			E63-1005-05	PHONO JACK		
J4			E11-0283-05	MINIATURE PHONE JACK(3P)		
W5 ,6			E31-0001-00	JUMPER WIRE		
W9			E31-0001-00	JUMPER WIRE		
W11			E31-0001-00	JUMPER WIRE		
W13 -17			E31-0001-00	JUMPER WIRE		
W19 -28			E31-0001-00	JUMPER WIRE		

L : Scandinavia
Y : PX(Far East, Hawaii)
Y : AAFES(Europe)
K : USA
T : Europe
X : Australia
P : Canada
E : Europe
M : Other Areas
R : Mexico
G : Germany
Q : Russia
3 : C-V300
10 : C-V100
15 : C-V100/V150
35 : C-V300
350 : C-V350

▲ indicates safety critical components.

C-V100/V150/V300/V350

PARTS LIST

* New Parts
Parts without **Parts No.** are not supplied.
Les articles non mentionnés dans le **Parts No.** ne sont pas fournis.
Teile ohne **Parts No.** werden nicht geliefert.

13

Ref. No	Add-ress	New Parts	Parts No.	Description	Desti-nation	Re-marks
W31 -36	35		E31-0001-00	JUMPER WIRE		
W39	35		E31-0001-00	JUMPER WIRE		
W43	35		E31-0001-00	JUMPER WIRE		
E1 ,2	15		J19-3290-05	LEAD HOLDER		
E5 -9			J11-0809-05	WIRE CLAMPER		
R7 ,8	35		RD14BB2C223J	RD	J	1/6W
R9 ,10	35		RD14BB2C113J	RD	J	1/6W
R11 ,12	35		RD14BB2C331J	RD	J	1/6W
R31 ,32	15		RD14BB2C103J	RD	J	1/6W
	35		RD14BB2C153J	RD	J	1/6W
R34	35		RD14BB2C432J	RD	J	1/6W
R36	35		RD14BB2C182J	RD	J	1/6W
R44	35		RD14BB2C473J	RD	J	1/6W
R48	35		RD14BB2C473J	RD	J	1/6W
R50	35		RD14BB2C242J	RD	J	1/6W
R54	35		RD14BB2C220J	RD	J	1/6W
R56	35		RD14BB2C220J	RD	J	1/6W
R61	15		RD14BB2C103J	RD	J	1/6W
R61	35		RD14BB2C153J	RD	J	1/6W
R66	15		RD14BB2C471J	RD	J	1/6W
R66	35		RD14BB2C821J	RD	J	1/6W
R87 -89	15		RD14BB2C103J	RD	J	1/6W
R87 -89	35		RD14BB2C113J	RD	J	1/6W
R93	35		RD14BB2C102J	RD	J	1/6W
R111,112			RS14KB3A470J	FL-PROOF RS	J	1W
R119,120			RS14KB3D101J	FL-PROOF RS	J	2W
R137-139	35		RD14BB2C102J	RD	J	1/6W
R140			RS14KB3A121J	FL-PROOF RS	J	1W
R143-145	35		RD14BB2C224J	RD	J	1/6W
R146	35		RD14BB2C563J	RD	J	1/6W
R151-155	35		RD14BB2C562J	RD	J	1/6W
R156	35		RD14BB2C333J	RD	J	1/6W
R170	35		RD14BB2C750J	RD	J	1/6W
R173	35		RD14BB2C102J	RD	J	1/6W
R174,175			RS14KB3A391J	FL-PROOF RS	J	1W
R181			RD14NB2E152J	RD	J	1/4W
R219			RD14NB2E181J	RD	J	1/4W
R226	35		RD14BB2C223J	RD	J	1/6W
D1 ,2			HZS8.2N(B2)	ZENER DIODE		
D1 ,2			MTZJ8.2(B)	ZENER DIODE		
D1 ,2			RD8.2ES(B2)	ZENER DIODE		
D1 ,2			UZ-8.2BSB	ZENER DIODE		
D3	35		HZS8.2N(B2)	ZENER DIODE		
D3	35		MTZJ8.2(B)	ZENER DIODE		
D3	35		RD8.2ES(B2)	ZENER DIODE		
D3	35		UZ-8.2BSB	ZENER DIODE		
D4 ,5			HZS8.2N(B2)	ZENER DIODE		
D4 ,5			MTZJ8.2(B)	ZENER DIODE		
D4 ,5			RD8.2ES(B2)	ZENER DIODE		
D4 ,5			UZ-8.2BSB	ZENER DIODE		
D6 -10	35		HZS8.2N(B2)	ZENER DIODE		
D6 -10	35		MTZJ8.2(B)	ZENER DIODE		
D6 -10	35		RD8.2ES(B2)	ZENER DIODE		

L : Scandinavia
Y : PX(Far East, Hawaii)
Y : AAFES(Europe)
K : USA
T : Europe
X : Australia
P : Canada
E : Europe
M : Other Areas
R : Mexico
G : Germany
Q : Russia
3 : C-V300
10 : C-V100
15 : C-V100/V150
35 : C-V300/V350
350 : C-V350

⚠ indicates safety critical components.

* New Parts
Parts without **Parts No.** are not supplied.
Les articles non mentionnés dans le **Parts No.** ne sont pas fournis.
Teile ohne **Parts No.** werden nicht geliefert.

12

Ref. No	Add-ress	New Parts	Parts No.	Description	Desti-nation	Re-marks
D6 -10	35		UZ-8.2BSB	ZENER DIODE		
D11 ,12			HZS5.1N(B2)	ZENER DIODE		
D11 ,12			MTZJ6.1(B)	ZENER DIODE		
D11 ,12			RD5.1ES(B2)	ZENER DIODE		
D11 ,12			UZ-5.1BSB	ZENER DIODE		
D13			HZS10N(B2)	ZENER DIODE		
D13			MTZJ10(B)	ZENER DIODE		
D13			RD10ES(B2)	ZENER DIODE		
D13			UZ-10BSB	ZENER DIODE		
D14 ,15			HSS104A	DIODE		
D14 ,15			1SS131	DIODE		
D16			HZS3.9N(B2)	ZENER DIODE		
D16			MTZJ3.9(B)	ZENER DIODE		
D16			RD3.9ES(B2)	ZENER DIODE		
D16			UZ-3.9BSB	ZENER DIODE		
D18 ,19	35		HSS104A	DIODE		
D18 ,19	35		1SS131	DIODE		
D20 ,21			HSS104A	DIODE		
D20 ,21			1SS131	DIODE		
IC1			NJM4580D-D	IC(OP AMP X2)		ET
IC2 ,3			NJM4565D-D	IC(OP AMP X2)		
IC4	35		NJM4565D-D	IC(OP AMP X2)		
IC5			NJM4580D-D	IC(OP AMP X2)		
IC6			NJM2279D	IC(VIDEO IC)		
IC7			TDA7466	ANALOGUE IC		
IC8			TDA7309	ANALOGUE IC		
IC9	35		TDA7309	ANALOGUE IC		
IC10	35		TC9215AP	ANALOGUE IC		
IC11	35		NJM4580D-D	IC(OP AMP X2)		
Q1 ,2			2SC2878(B)	TRANSISTOR		
Q3 ,4	35		2SC2878(B)	TRANSISTOR		
Q5			2SC2878(B)	TRANSISTOR		
Q6	35		2SC2878(B)	TRANSISTOR		
Q7 ,8			2SC2878(B)	TRANSISTOR		
Q11 ,12			2SC2878(B)	TRANSISTOR		
Q15			2SA1048(Y,GR)	TRANSISTOR		
Q15			2SA1175(F,E)	TRANSISTOR		
Q15			2SA1309A(Q,R)	TRANSISTOR		
Q15			2SA933AS(Q,R)	TRANSISTOR		
Q16			2SC1740S(Q,R)	TRANSISTOR		
Q16	35		2SC2458(Y,GR)	TRANSISTOR		
Q16			2SC2785(F,E)	TRANSISTOR		
Q16	35		2SC3311A(Q,R)	TRANSISTOR		
Q17	35		2SA1048(Y,GR)	TRANSISTOR		
Q17	35		2SA1175(F,E)	TRANSISTOR		
Q17	35		2SA1309A(Q,R)	TRANSISTOR		
Q17	35		2SA933AS(Q,R)	TRANSISTOR		
Q18			2SC1740S(Q,R)	TRANSISTOR		
Q18			2SC2458(Y,GR)	TRANSISTOR		
Q18			2SC2785(F,E)	TRANSISTOR		
Q18			2SC3311A(Q,R)	TRANSISTOR		
Q19			2SA1048(Y,GR)	TRANSISTOR		
Q19			2SA1175(F,E)	TRANSISTOR		
Q19			2SA1309A(Q,R)	TRANSISTOR		
Q19			2SA933AS(Q,R)	TRANSISTOR		

L : Scandinavia
Y : PX(Far East, Hawaii)
Y : AAFES(Europe)
K : USA
T : Europe
X : Australia
P : Canada
E : Europe
M : Other Areas
R : Mexico
G : Germany
Q : Russia
3 : C-V300
10 : C-V100
15 : C-V100/V150
35 : C-V300/V350
350 : C-V350

⚠ indicates safety critical components.

* New Parts
Parts without **Parts No.** are not supplied.
Les articles non mentionnés dans le **Parts No.** ne sont pas fournis.
Teile ohne **Parts No.** werden nicht geliefert.

15

Ref. No	Add-ress	New Parts	Parts No.	Description	Desti-nation	Re-marks
CONTROL(X11-3730-10 / X11-3790-20)						
C1 -4				CERAMIC	ET	
C5 ,6				CERAMIC	ET	
C7 ,8				CERAMIC	ET	
C9 ,10				CERAMIC	ET	
C11 -14				CERAMIC	ET	
C15 ,16				CERAMIC	ET	
C17 ,18				CERAMIC	ET	
C19 -24	350			CERAMIC	ET	
C25 ,26				CERAMIC	ET	
C27				CERAMIC	MICXET	
C28 -30				CERAMIC		
C31 ,32				ELECTRO		
C33 ,34				CERAMIC		
C35 ,36				ELECTRO		
C37 ,38				ELECTRO		
C39				CERAMIC		
C40				CERAMIC		
C41 -44				MYLAR		
C45				CERAMIC		
C46				NP-ELEC		
C47 ,48				CERAMIC		
C51 ,52				CERAMIC		
C53 ,54				ELECTRO		
C59 ,60				CERAMIC		
C61 ,62				ELECTRO		
C63				ELECTRO		
C64				MF-C		
C66				MYLAR		
C67				ELECTRO		
C68 ,69				CERAMIC		
C71				MYLAR		
C72				MYLAR		
C73				ELECTRO		
C74 -77				ELECTRO		
C78				ELECTRO		
C79 ,80				MYLAR		
C81				ELECTRO		
C82				ELECTRO		
C83				ELECTRO		
C84				ELECTRO		
C85				MF-C		
C86				ELECTRO		
C87 ,88				MF-C		
C89				ELECTRO		
C90				MF-C		
C91				ELECTRO		
C92				ELECTRO		
C93				ELECTRO		
C94				ELECTRO		
C95 ,96				MYLAR		
C97				ELECTRO		
C98				MF-C		
C99				MYLAR		

L : Scandinavia
Y : PX(Far East, Hawaii)
Y : AAFES(Europe)
K : USA
T : Europe
X : Australia
P : Canada
E : Europe
M : Other Areas
R : Mexico
G : Germany
Q : Russia
3 : C-V300
10 : C-V100
15 : C-V100/V150
35 : C-V300/V350
350 : C-V350
150 : C-V100/V150
Δ indicates safety critical components.

C-V100/V150/V300/V350

PARTS LIST

* New Parts
Parts without **Parts No.** are not supplied.
Les articles non mentionnés dans le **Parts No.** ne sont pas fournis.
Teile ohne **Parts No.** werden nicht geliefert.

15

Ref. No	Add-ress	New Parts	Parts No.	Description	Desti-nation	Re-marks
C100			CE04KW1H2R2M	ELECTRO		
C101			CQ93FMG1H103J	MYLAR		
C102			CE04KW1HR33M	ELECTRO		50WV
C103			CE04KW1C221M	ELECTRO		J
C104			CE04KW1HR47M	ELECTRO		50WV
C105			CQ93FMG1H823J	MYLAR		0.082UF
C106			CQ93FMG1H332J	MYLAR		3300PF
C107			CQ93FMG1H823J	MYLAR		0.082UF
C108			CE04KW1C221M	ELECTRO		220UF
C109			CQ93FMG1H104J	MYLAR		0.10UF
C111-114			CC45FSL1H101J	CERAMIC		100PF
C115-117			CK45FB1H102K	CERAMIC		1000PF
C118,119			CK45FF1H103Z	CERAMIC		0.010UF
C120,121			CC45FCH1H180J	CERAMIC		18PF
C122			CK45FF1H103Z	CERAMIC		0.010UF
C123			CE04KW0J331M	ELECTRO		330UF
C124			CE04KW1A101M	ELECTRO		100UF
C133			CE04KW1E470M	ELECTRO		47UF
C136			CQ93FMG1H104J	MYLAR		0.10UF
C137,138			CK45FB1H102K	CERAMIC		1000PF
C139			CE04KW1H100M	ELECTRO		10UF
C141-144			CK45FF1H103Z	CERAMIC		0.010UF
C145			CE04KW1H102M	ELECTRO		1000UF
C146			CK45FB1H391K	CERAMIC		390PF
C147			CE04KW1E470M	ELECTRO		47UF
C150			CE04KW1E470M	ELECTRO		47UF
C151			CE04KW1H102M	ELECTRO		1000UF
C152			CE04KW1V4R7M	ELECTRO		4.7UF
C156			CE04KW1E470M	ELECTRO		47UF
C157			CK45FF1H103Z	CERAMIC		0.010UF
C158			CE04KW1H100M	ELECTRO		10UF
C159			CK45FF1H103Z	CERAMIC		0.010UF
C160			CE04KW1E102M	ELECTRO		1000UF
C161			CK45FF1H103Z	CERAMIC		0.010UF
C162			CE04KW1C220M	ELECTRO		22UF
C163			CK45FB1H102K	CERAMIC		1000PF
C163			CK45FB1H102K	CERAMIC		1000PF
C164			CE04KW1A470M	ELECTRO		47UF
C165			CK45FF1H103Z	CERAMIC		0.010UF
C166			CE04KW1J331M	ELECTRO		330UF
C167			CK45FF1H103Z	CERAMIC		0.010UF
C168			CE04KW1H100M	ELECTRO		10UF
C169			CK45FB1H102K	CERAMIC		1000PF
C170			CE04KW1H100M	ELECTRO		10UF
C171		*	C90-3747-05	ELECTRO		4.7UF
C172		*	C90-3749-05	ELECTRO		47UF
C173,174			CE04KW1H010M	ELECTRO		1.0UF
C175			CK45FB1H102K	CERAMIC		1000PF
C176			CK45FF1H103Z	CERAMIC		0.010UF
C177			C90-3623-05	BACK UP		0.33F
C178			CK45FF1H103Z	CERAMIC		0.010UF
C179,180			CE04KW1E470M	ELECTRO		47UF
C181-185			CK45FF1H103Z	CERAMIC		0.010UF
C186			C91-1488-05	MF		6800PF
C189,190			CC45FSL1H221J	CERAMIC		220PF

L : Scandinavia
Y : PX(Far East, Hawaii)
Y : AAFES(Europe)
K : USA
T : Europe
X : Australia
P : Canada
E : Europe
M : Other Areas
R : Mexico
G : Germany
Q : Russia
3 : C-V300
10 : C-V100
15 : C-V100/V150
35 : C-V300/V350
350 : C-V350
150 : C-V100/V150
Δ indicates safety critical components.

PARTS LIST

* New Parts
Parts without **Parts No.** are not supplied.
Les articles non mentionnés dans le **Parts No.** ne sont pas fournis.
Teile ohne **Parts No.** werden nicht geliefert.

* New Parts
Parts without **Parts No.** are not supplied.
Les articles non mentionnés dans le **Parts No.** ne sont pas fournis.
Teile ohne **Parts No.** werden nicht geliefert.

Ref. No	Add-ress	New Parts	Parts No.	Description	Desti-nation	Re-marks
R47, 48	35		RD14BB2C224J	RD		
R68			RD14NB2E681J	RD		
R97	35		RD14BB2C100J	RD		
R186-189	3		RD14BB2C221J	RD		
R203			RS14KB3D100J	FL-PROOF RS	MICX	
R228			RS14KB3D181J	FL-PROOF RS		
R232			R92-1769-05	CARBON	2W	
R233,234	3		RD14BB2E511J	RD	1/2W	KP
R236			RS14KB3D471J	FL-PROOF RS	1/4W	MICX
R237			RS14KB3D331J	FL-PROOF RS	2W	
R239			RS14KB3D331J	FL-PROOF RS	330	
R240			RS14KB3D471J	FL-PROOF RS	330	
R241,242			RD14NB2E1R0J	RD	2W	
R251	3		RD14BB2C102J	RD	1/4W	
R255			RS14KB3D1R2J	FL-PROOF RS	1.0K	MICX
					1.2	ET
R255	3		RS14KB3D1R2J	FL-PROOF RS	1.2	MICX
R256			RD14NB2E4R7J	RD	2W	
R257			RS14KB3A1R0J	FL-PROOF RS	4.7	
R258			RS14KB3A470J	FL-PROOF RS	1	
R259			RD14NB2E100J	RD	1W	
					10	
R265	3		RD14BB2C103J	RD	10K	MICX
R268	3		RD14BB2C101J	RD	100	MICX
S1			S62-0001-05	SLIDE SWITCH		YMI
D1 -6			HSS104A	DIODE		
D1 -6			1SS131	DIODE		
D11			HSS104A	DIODE		YMIC
D11			1SS131	DIODE		YMIC
D13			HSS104A	DIODE		ET
D13			1SS131	DIODE		ET
D14			HSS104A	DIODE		TX
D14			1SS131	DIODE		TX
D15			HSS104A	DIODE		YEMICX
D15			1SS131	DIODE		YEMICX
D16			HSS104A	DIODE		ETMICX
D16			1SS131	DIODE		ETMICX
D21 -24	35		S5688B	DIODE		
D21 -24	35		1SR139-400	DIODE		
D26			HZS5.1S(B2)	ZENER DIODE		
D26			RD5.1JS(B2)	ZENER DIODE		
D27			HSS104A	DIODE		
D27			1SS131	DIODE		
D28			HZS2.7N(B2)	ZENER DIODE		
D28			MTZJ2.7(B)	ZENER DIODE		
D28			RD2.7ES(B2)	ZENER DIODE		
D28			UZ-2.7BSB	ZENER DIODE		
D29,30			HSS104A	DIODE		
D29,30			1SS131	DIODE		
D31			S5688B	DIODE		
D31			1SR139-400	DIODE		
D32			HSS104A	DIODE		
D32			1SS131	DIODE		
D33			HZS5.6N(B2)	ZENER DIODE		
D33			MTZJ5.6(B)	ZENER DIODE		

L : Scandinavia
Y : PXI(Far East, Hawaii)
Y : AAFES(Europe)

K : USA
T : Europe
X : Australia

P : Canada
E : Europe
M : Other Areas

R : Mexico
G : Germany
Q : Russia

3 : C-V300
10 : C-V100
15 : C-V100/V150

35 : C-V300/V350
350 : C-V350

Δ indicates safety critical components.

Ref. No	Add-ress	New Parts	Parts No.	Description	Desti-nation	Re-marks
C191			CK45FF1H103Z	CERAMIC		
C192			CE04KW1H100M	ELECTRO	ET	
C192	3		CE04KW1H100M	ELECTRO	MICX	
C193			CK45FF1H103Z	CERAMIC		
C194			CE04HW1H2R2M	NP-ELEC		
C195			CE04KW1H010M	ELECTRO		
C196-199			CC45FSL1H221J	CERAMIC		
C200			CE04KW1E470M	ELECTRO		
C201			CK45FB1H391K	CERAMIC		
C202			CK45FB1H103Z	CERAMIC		
CN1			E40-4245-05	PIN ASSY	MICX	
CN1		*	E40-8126-05	PIN ASSY	KPYET	
CN3			E40-4918-05	FLAT CABLE CONNECTOR		
CN4	10		E40-4902-05	FLAT CABLE CONNECTOR		
CN4	3		E40-4906-05	FLAT CABLE CONNECTOR	MICX	
CN4			E40-4908-05	FLAT CABLE CONNECTOR		
CN15			E40-3249-05	PIN ASSY	ET	
CN16			E40-4902-05	FLAT CABLE CONNECTOR	MICXET	
CN17	35		E40-4902-05	FLAT CABLE CONNECTOR		
CN18			E40-4607-05	FLAT CABLE CONNECTOR		
J1 -3			E63-0139-15	PHONO JACK		
J4	35		E63-0111-05	PHONO JACK		
J5			E11-0293-05	MINIATURE PHONE JACK(2P)		
J6			E03-0148-05	AC OUTLET	KPY	
J6			E03-0149-05	AC OUTLET	EMI	
J6			E03-0310-05	AC OUTLET	T	
J6			E03-0325-05	AC OUTLET	X	
J6			E03-0330-05	AC OUTLET	C	
J7			E58-0018-05	RECTANGULAR RECEPTACLE		
W207	10		E31-0001-00	JUMPER WIRE		
W228	10		E31-0001-00	JUMPER WIRE		
F1			F05-2525-05	FUSE (SEMKO)		
F2,3			F05-8013-05	FUSE (SEMKO)		
F2,3			F05-8013-05	FUSE (SEMKO)		
F2,3			F50-0067-05	FUSE (5X20)		
CN5,6			J13-0075-05	FUSE CLIP		
CN11-14			J13-0075-05	FUSE CLIP		
E10			J11-0808-05	WIRE CLAMPER		
X1			L78-0284-05	RESONATOR		
X2			L77-2173-05	CRYSTAL RESONATOR(32.768KHZ)		
X4			L78-0674-05	RESONATOR		
X5			L78-0290-05	RESONATOR		
CP2			R90-0860-05	MULTI-COMP		
CP3			R90-0812-05	MULTI-COMP		
CP4			R90-0864-05	MULTI-COMP		
CP5			R90-0892-05	MULTI-COMP		
CP6			R90-0855-05	MULTI-COMP		
CP7			R90-0482-05	MULTI-COMP		
R37,38	35		RD14BB2C102J	RD		
R39,40	35		RD14BB2C224J	RD		
R41,42	35		RD14BB2C102J	RD		
R43,44	35		RD14BB2C224J	RD		
R45,46	35		RD14BB2C102J	RD		

L : Scandinavia
Y : PXI(Far East, Hawaii)
Y : AAFES(Europe)

K : USA
T : Europe
X : Australia

P : Canada
E : Europe
M : Other Areas

R : Mexico
G : Germany
Q : Russia

3 : C-V300
10 : C-V100
15 : C-V100/V150

35 : C-V300/V350
350 : C-V350

Δ indicates safety critical components.

C-V100/V150/V300/V350

PARTS LIST

* New Parts
Parts without **Parts No.** are not supplied.
Les articles non mentionnés dans le **Parts No.** ne sont pas fournis.
Teile ohne **Parts No.** werden nicht geliefert.

19

Ref. No	Add-ress	New Parts	Parts No.	Description	Desti-nation	Re-marks
D33			RD5.6ES(B2)	ZENER DIODE		
D33			UZ-5.6BSB	ZENER DIODE		
D34			S5688B	DIODE		
D34			1SR139-400	DIODE		
D35			HZS16N(B2)	ZENER DIODE		
D35			MTZJ16(B)	ZENER DIODE		
D35			RD16ES(B2)	ZENER DIODE		
D35			UZ-16BSB	ZENER DIODE		
D36			HZS18N(B2)	ZENER DIODE		
D36			MTZJ18(B)	ZENER DIODE		
D36			RD18ES(B2)	ZENER DIODE		
D36			UZ-18BSB	ZENER DIODE		
D37-39			HSS104A	DIODE		
D37-39			1SS131	DIODE		
D41			HZS6.2N(B2)	ZENER DIODE		
D41			MTZJ6.2(B)	ZENER DIODE		
D41			RD6.2ES(B2)	ZENER DIODE		
D41			UZ-6.2BSB	ZENER DIODE		
D42			HZS10N(B)	ZENER DIODE		
D42			MTZJ10(B)	ZENER DIODE		
D42			RD10ES(B)	ZENER DIODE		
D42			UZ-10BSB	ZENER DIODE		
D43			HZS3.9N(B2)	ZENER DIODE		
D43			MTZJ3.9(B)	ZENER DIODE		
D43			RD3.9ES(B2)	ZENER DIODE		
D43			UZ-3.9BSB	ZENER DIODE		
D44-46			HSS104A	DIODE		
D44-46			1SS131	DIODE		
D47			S5688B	DIODE		
D47			1SR139-400	DIODE		
D48			HSS104A	DIODE		
D48			1SS131	DIODE		
D49			HZS8.2N(B2)	ZENER DIODE		
D49			MTZJ8.2(B)	ZENER DIODE		
D49			RD8.2ES(B2)	ZENER DIODE		
D49			UZ-8.2BSB	ZENER DIODE		
D50_51			HZS10N(B2)	ZENER DIODE		
D50_51			MTZJ10(B)	ZENER DIODE		
D50_51			RD10ES(B2)	ZENER DIODE		
D50_51			UZ-10BSB	ZENER DIODE		
D52			HZS6.2N(B2)	ZENER DIODE		
D52			MTZJ6.2(B)	ZENER DIODE		
D52			RD6.2ES(B2)	ZENER DIODE		
D52			UZ-6.2BSB	ZENER DIODE		
D53			HZS5.1S(B2)	ZENER DIODE		
D53			RD5.1JS(B2)	ZENER DIODE		
D54-60			HSS104A	DIODE		
D54-60			1SS131	DIODE		
D61	3		HZS8.2S(B2)	ZENER DIODE	ET MICX	
D61			HZS8.2S(B2)	ZENER DIODE		
D61	3		RD8.2JS(B2)	ZENER DIODE	ET MICX	
D61			RD8.2JS(B2)	ZENER DIODE		
IC1			NJU7312AL	ANALOGUE IC		
IC2			NJU7311AL	ANALOGUE IC		
IC3			NJM4565D-D	IC(OP AMP X2)		

L : Scandinavia
Y : PX(Far East, Hawaii)
Y : AAFES(Europe)
K : USA
T : Europe
X : Australia
P : Canada
E : Europe
M : Other Areas
R : Mexico
G : Germany
Q : Russia
3 : C-V300
10 : C-V100
15 : C-V100/V150
35 : C-V300/V350
350 : C-V350
indicates safety critical components.

* New Parts
Parts without **Parts No.** are not supplied.
Les articles non mentionnés dans le **Parts No.** ne sont pas fournis.
Teile ohne **Parts No.** werden nicht geliefert.

20

Ref. No	Add-ress	New Parts	Parts No.	Description	Desti-nation	Re-marks
IC4			LA2786	ANALOGUE IC		
IC5			LV1016	DI BI-POLAR IC	KPY	
IC6		*	UPD780205GF031	MI-COM IC	MICX	
IC6		*	UPD780205GF031	MI-COM IC	ET	
IC6		*	UPD780206GF019	MI-COM IC		
IC7		*	UPD17215GT-737	MI-COM IC		
IC9			S-806D-Z	ANALOGUE IC	ET	
IC10	3		TA8409S	MOS-IC	MICX	
IC10			TA8409S	MOS-IC		
IC11			NJM4558D	ANALOGUE IC		
Q1_2			2SC2878(B)	TRANSISTOR	YMIC	
Q3			2SA1048(Y,GR)	TRANSISTOR	YMIC	
Q3			2SA1175(F,E)	TRANSISTOR	YMIC	
Q3			2SA1309A(Q,R)	TRANSISTOR	YMIC	
Q3			2SA933AS(Q,R)	TRANSISTOR	YMIC	
Q4			2SD1894	TRANSISTOR		
Q6_7			DTC124ESA	DIGITAL TRANSISTOR	YMIC	
Q6_7			UN4212	DIGITAL TRANSISTOR	YMIC	
Q8			2SB1370(E,F)	TRANSISTOR		
Q8			2SB1375	TRANSISTOR		
Q10	3		2SD2061	TRANSISTOR	ET	
Q10			2SD2061	TRANSISTOR	MICX	
Q11			2SB1370(E,F)	TRANSISTOR		
Q11			2SB1375	TRANSISTOR		
Q12			2SC1740S(Q,R)	TRANSISTOR		
Q12			2SC2458(Y,GR)	TRANSISTOR		
Q12			2SC2785(F,E)	TRANSISTOR		
Q12			2SC3311A(Q,R)	TRANSISTOR		
Q13			2SD2061	TRANSISTOR		
Q14			2SC2003(L,K)	TRANSISTOR		
Q15			2SA1048(Y,GR)	TRANSISTOR		
Q15			2SA1175(F,E)	TRANSISTOR		
Q15			2SA1309A(Q,R)	TRANSISTOR		
Q15			2SA933AS(Q,R)	TRANSISTOR		
Q16			2SD2061	TRANSISTOR		
Q17			2SC1740S(Q,R)	TRANSISTOR		
Q17			2SC2458(Y,GR)	TRANSISTOR		
Q17			2SC2785(F,E)	TRANSISTOR		
Q17			2SC3311A(Q,R)	TRANSISTOR		
Q18			2SB1370(E,F)	TRANSISTOR		
Q18			2SB1375	TRANSISTOR		
Q19	3		2SD2061	TRANSISTOR	ET	
Q19			2SD2061	TRANSISTOR	MICX	
SUB(X13-7522-70)						
C1			CE04KW1V100M	ELECTRO		
C2			CE04KW1A101M	ELECTRO		
C3_4			CE04KW1C220M	ELECTRO		
C5			CQ93FMG1H102J	MYLAR		
C6			CQ93FMG1H182J	MYLAR		
C7			CQ93FMG1H103J	MYLAR		
C8			CE04KW1A101M	ELECTRO		
C9_10			CC45FCH1H270J	CERAMIC		
C11			CK45FF1H103Z	CERAMIC		
C12			CE04KW1H010M	ELECTRO		

L : Scandinavia
Y : PX(Far East, Hawaii)
Y : AAFES(Europe)
K : USA
T : Europe
X : Australia
P : Canada
E : Europe
M : Other Areas
R : Mexico
G : Germany
Q : Russia
3 : C-V300
10 : C-V100
15 : C-V100/V150
35 : C-V300/V350
350 : C-V350
indicates safety critical components.

PARTS LIST

* New Parts
Parts without
Les articles non mentionnés dans le **Parts No.** ne sont pas fournis.
Teile ohne **Parts No.** werden nicht geliefert.

21

Ref. No	Add-ress	New Parts	Parts No.	Description	Desti-nation	Re-marks
C21			CE04KW1H2R2M	ELECTRO		
C22			CC45FSL1H331J	2.2UF		
C23			CK45FB1H561K	330PF	50WV	
C24			CK45FF1H103Z	560PF	J	
C25			CC45FCH1H330J	0.010UF	K	
C26			CC45FCH1H390J	33PF	J	
C27			CK45FF1H103Z	39PF	J	
C28			CE04KW1A101M	0.010UF	Z	
CN1			E40-4808-05	1000UF	10WV	
CN2			E40-4294-05	PIN ASSY		
L1			L40-1001-17	FLAT CABLE CONNECTOR		
L2			L40-1091-17	SMALL FIXED INDUCTOR(10UH,K)		
X1			L78-0626-05	SMALL FIXED INDUCTOR		
X2			L77-2200-05	RESONATOR (16M)		
R33			RD14NB2E101J	CRYSTAL RESONATOR(4.332MHZ)		
D1 -8				RD	100	J 1/4W
D1 -8			HSS104A	DIODE		
IC1		*	1SS131	DIODE		
IC2			RF5S830-0021	MOS-IC		
Q1			SAA6579	ANALOGUE IC		
Q1			2SC2458(Y,GR)	TRANSISTOR		
Q2			2SC3311A(Q,R)	TRANSISTOR		
Q2			2SA1048(Y,GR)	TRANSISTOR		
Q3			2SA1309A(Q,R)	TRANSISTOR		
Q3			2SC2878(B)	TRANSISTOR		
SUB(X13-7562-70 / X13-7570-20)						
C1 ,2			CE04KW1H100M	ELECTRO		
C3 -6			CC45FSL1H101J	10UF	50WV	
C7			CQ93FMG1H103J	100PF	J	
C8			CQ93FMG1H102J	0.010UF	J	
C9 ,10			CC45FSL1H101J	1000PF	J	
C11			CE04KW1H100M	100PF	J	
C12			CC45FSL1H101J	10UF	50WV	
C13			CK45FB1H102K	1000PF	J	
C14			CQ93FMG1H103J	1000PF	K	
C15			CQ93FMG1H102J	0.010UF	J	
CN1 -3			E40-8180-05	PIN ASSY		
IC1 ,2			NJM4565D-D	IC(OP AMP X2)		
DISPLAY(X14-4360-10 / X14-4500-20)						
C1 ,2			CE04KW1A101M	ELECTRO		
CN1		*	E40-4940-05	FLAT CABLE CONNECTOR		
CN2		*	E40-8086-05	FLAT CABLE CONNECTOR		
CN4			E40-4808-05	PIN ASSY		
-		*	J19-5793-03	HOLDER		
R1			RD14NB2E470J	RD	47	J 1/4W
R50 -76			RK73FB2A104J	CHIP R	100K	J 1/10W
R77			RK73FB2A102J	CHIP R	1.0K	J 1/10W
R78			RK73FB2A103J	CHIP R	10K	J 1/10W
S1 -15			S70-0031-05	TACT SWITCH		
S30			T99-0559-05	ROTARY ENCODER		

L : Scandinavia
Y : PX(Far East, Hawaii)
Y : AAFES(Europe)

K : USA
T : Europe
X : Australia

P : Canada
E : Europe
M : Other Areas

R : Mexico
G : Germany
Q : Russia

3 : C-V300
10 : C-V100
15 : C-V100/V150

35 : C-V300/V350
350 : C-V350

△ indicates safety critical components.

* New Parts
Parts without
Les articles non mentionnés dans le **Parts No.** ne sont pas fournis.
Teile ohne **Parts No.** werden nicht geliefert.

22

Ref. No	Add-ress	New Parts	Parts No.	Description	Desti-nation	Re-marks
ED1		*	20U64100SA	INDICATOR TUBE		
Q1			2SC3246	TRANSISTOR		
Q5 -14			DTA113ZUA	DIGITAL TRANSISTOR		
Q5 -14			UN5119	DIGITAL TRANSISTOR	KPY	
Q15			2SA1576A(R,S)	TRANSISTOR		
Q15			2SA1586(Y,GR)	TRANSISTOR		
Q15			2SB1218A(Q,R)	TRANSISTOR	MICX	
Q16 -31			DTA113ZUA	DIGITAL TRANSISTOR		
Q16 -31			UN5119	DIGITAL TRANSISTOR		
A1		*	W02-2598-05	OPTIC RECEIVING MODULE		
DISPLAY(X14-4372-70 / X14-4510-20)						
D1 -10			B30-2508-05	LED(AMBER,D=3,P=2)		
D11 ,12		*	B30-2519-05	LED(INFRARED,D=5,)		
D13	3	*	B30-2493-05	LED(RED)		
D14	15		B30-2507-05	LED(RED/GRN,D=5)		
C1 ,2			CE04KW1A101M	ELECTRO	100UF	10WV
CN1			E40-4946-05	FLAT CABLE CONNECTOR		
CN2			E40-4956-05	FLAT CABLE CONNECTOR		
CN4	3		E40-4944-05	FLAT CABLE CONNECTOR		
CN5			E40-4609-05	PIN ASSY		
CN6	15		E40-4293-05	FLAT CABLE CONNECTOR		
W1	3		E31-0001-00	JUMPER WIRE		
W2	15		E31-0001-00	JUMPER WIRE		
-		*	J19-5793-03	HOLDER		
E6	15		J19-3288-05	LEAD HOLDER		
R1			RD14NB2E470J	RD	47	J 1/4W
R11 ,12	15		RD14BB2C103J	RD	10K	J 1/6W
R13 ,14	15		RD14BB2C222J	RD	2.2K	J 1/6W
R15 ,16	15		RD14BB2C221J	RD	220	J 1/6W
R22	3		RD14BB2C561J	RD	560	J 1/6W
R26 ,27	15		RD14BB2C101J	RD	100	J 1/6W
R50 -76			RK73FB2A104J	CHIP R	100K	J 1/10W
R77			RK73FB2A102J	CHIP R	1.0K	J 1/10W
R78			RK73FB2A103J	CHIP R	10K	J 1/10W
S1 -16			S70-0031-05	TACT SWITCH		
S17 -20			S70-0031-05	TACT SWITCH		
S21 -24	15		S70-0031-05	TACT SWITCH		
S25 ,26	15		S70-0031-05	TACT SWITCH		
S30			T99-0559-05	ROTARY ENCODER		
ED1		*	20U64100SA	INDICATOR TUBE		
Q1			2SC3246	TRANSISTOR		
Q2			2SC2003(L,K)	TRANSISTOR		
Q3 ,4	15		2SA1175(F,E)	TRANSISTOR		
Q3 ,4	15		2SA933AS(Q,R)	TRANSISTOR		
Q5 -14			DTA113ZUA	DIGITAL TRANSISTOR		
Q5 -14			UN5119	DIGITAL TRANSISTOR		
Q15	15		2SA1576A(R,S)	TRANSISTOR		
Q15			2SA1586(Y,GR)	TRANSISTOR		
Q15	3		2SB1218A(Q,R)	TRANSISTOR		
Q16 -31			DTA113ZUA	DIGITAL TRANSISTOR		
Q16 -31			UN5119	DIGITAL TRANSISTOR		
A1		*	W02-2598-05	OPTIC RECEIVING MODULE		

L : Scandinavia
Y : PX(Far East, Hawaii)
Y : AAFES(Europe)

K : USA
T : Europe
X : Australia

P : Canada
E : Europe
M : Other Areas

R : Mexico
G : Germany
Q : Russia

3 : C-V300
10 : C-V100
15 : C-V100/V150

35 : C-V300/V350
350 : C-V350

△ indicates safety critical components.

C-V100/V150/V300/V350

SPECIFICATIONS

For C-V350

Audio section

Total harmonic distortion (1 KHz, 1V)	0.01 %
Signal to noise ratio (IHF66)	93 dB
CD Input sensitivity / Impedance	200 mV / 47kΩ
CD Tone controls	± 8 dB (at 100 Hz)
BASS	± 8 dB (at 10 KHz)
TREBLE	
Output level / Impedance	200 mV / 1 kΩ
TAPE REC	

Video section

VIDEO inputs / outputs (composite)	1 Vp-p/75 Ω
------------------------------------	-------------

FM Tuner section

Tuning frequency range	87.5 MHz~108 MHz
Usable sensitivity (DIN)	MONO 1.2 μV (at 75 Ω) / 13.2 dBf (40 KHz dev., S/N 26 dB)
	STEREO 35 μV (at 75 Ω) / 42 dBf (46 KHz dev., S/N 46 dB)
Signal to noise ratio (DIN weighted at 1 KHz, 40 KHz dev.)	65 dB (65.2 dBf input)
MONO	60 dB (65.2 dBf input)
STEREO	64 dB
Selectivity (DIN ± 300 KHz)	60 dB
Stereo separation (DIN, 1 KHz)	36 dB
Frequency response	30 Hz~15 KHz, + 0.5 dB, - 3.0 dB

MW Tuner section

Tuning frequency range	531 KHz ~ 1,602 KHz
Usable sensitivity (30% mod., S/N 20 dB)	20 μV / (700 μV / m)
Signal to noise ratio (at 30% mod., 1mV input)	48 dB

LW Tuner section

Tuning frequency range	153 KHz ~ 279 KHz
Usable sensitivity (30% mod., S/N 20 dB)	35 μV
Signal to noise ratio (at 30% mod., 1mV input)	45 dB

General

Power consumption	25 W
AC outlet	UN SWITCHED
Dimensions	2 : (Total 100 W max) W : 400 mm H : 105 mm D : 382 mm
Weight (net)	5.2 kg

For C-V150

Audio section

Total harmonic distortion (1 KHz, 1V)	0.01 %
Signal to noise ratio (IHF66)	93 dB
CD Input sensitivity / Impedance	200 mV / 47kΩ
CD Tone controls	± 8 dB (at 100 Hz)
BASS	± 8 dB (at 10 KHz)
TREBLE	
Output level / Impedance	200 mV / 1 kΩ
TAPE REC	

Video section

VIDEO inputs / outputs (composite)	1 Vp-p/75 Ω
------------------------------------	-------------

FM Tuner section

Tuning frequency range	87.5 MHz~108 MHz
Usable sensitivity (DIN)	MONO 1.2 μV (at 75 Ω) / 13.2 dBf (40 KHz dev., S/N 26 dB)
	STEREO 35 μV (at 75 Ω) / 42 dBf (46 KHz dev., S/N 46 dB)
Signal to noise ratio (DIN weighted at 1 KHz, 40 KHz dev.)	65 dB (65.2 dBf input)
MONO	60 dB (65.2 dBf input)
STEREO	64 dB
Selectivity (DIN ± 300 KHz)	60 dB
Stereo separation (DIN, 1 KHz)	36 dB
Frequency response	30 Hz~15 KHz, + 0.5 dB, - 3.0 dB

MW Tuner section

Tuning frequency range	531 KHz ~ 1,602 KHz
Usable sensitivity (30% mod., S/N 20 dB)	20 μV / (700 μV / m)
Signal to noise ratio (at 30% mod., 1mV input)	48 dB

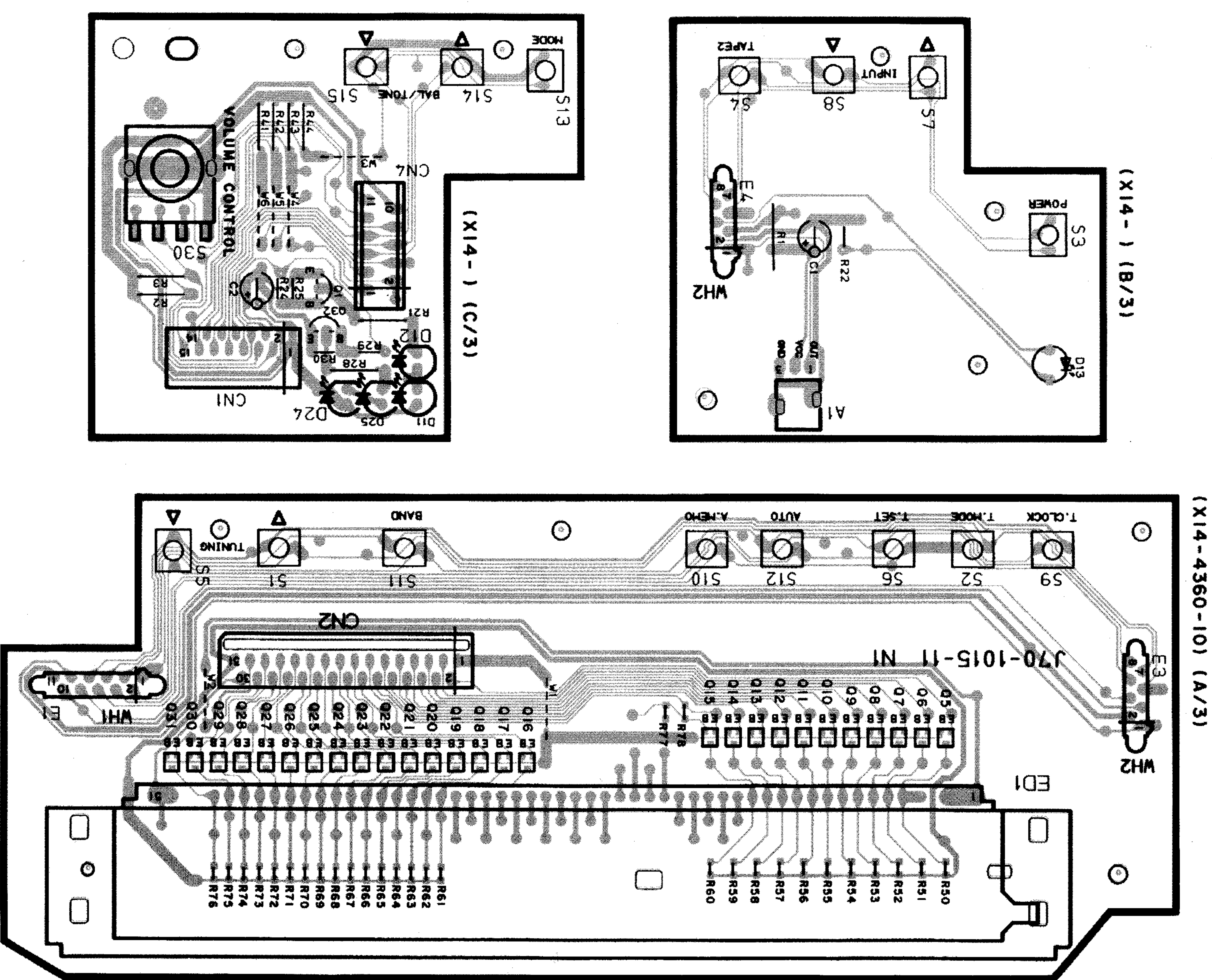
LW Tuner section

Tuning frequency range	153 KHz ~ 279 KHz
Usable sensitivity (30% mod., S/N 20 dB)	35 μV
Signal to noise ratio (at 30% mod., 1mV input)	45 dB

General

Power consumption	25 W
AC outlet	UN SWITCHED
Dimensions	2 : (Total 100 W max) W : 400 mm H : 105 mm D : 382 mm
Weight (net)	5.2 kg

PC BOARD (Component side view)



1. KENWOOD follows a policy of continuous advancements in development. For this reason specifications may be changed without notice.

2. Full performance may not be exhibited in extremely cold locations (below 0 deg.C).

C-V100/V150/V300/V350

SPECIFICATIONS

For C-V300

Audio section

Total harmonic distortion (1 KHz, 1V) 0.01 %
 Signal to noise ratio (IHF66)
 CD 93 dB
 Input sensitivity / Impedance 200 mV / 47kΩ
 CD
 Tone controls
 BASS ± 8 dB (at 100 Hz)
 TREBLE ± 8 dB (at 10 KHz)
 Output level / Impedance 200 mV / 1 kΩ
 TAPE REC 200 mV / 1 kΩ

Video section

VIDEO inputs / outputs
 (composite) 1 Vp-p/75 Ω

FM Tuner section

Tuning frequency range 87.5 MHz~108 MHz
 Usable sensitivity
 MONO 1.6 V (at 75 Ω) / 15.2 dBf
 (75 KHz dev., SINAD. 30 dB)
 50dB quieting sensitivity
 STEREO 31.6 μV (at 75 Ω) / 41.2 dBf
 (75 KHz dev.)
 Signal to noise ratio (1 KHz, 75 KHz dev.)
 MONO 75 dB (65.2 dBf input)
 STEREO 68 dB (65.2 dBf input)
 Selectivity (IHF ± 400 KHz) 50 dB
 Stereo separation (1 KHz) 40 dB
 Frequency response 30 Hz~15 KHz, + 0.5 dB, - 3.0 dB

AM Tuner section

Tuning frequency range (9 KHz) 531 KHz ~ 1,602 KHz
 (10 KHz) 530 KHz ~ 1,610 KHz
 Usable sensitivity
 (30% mod., S/N 20 dB) 16 ± V / (600 μ / m)
 Signal to noise ratio
 (at 30% mod. 1mV input) 48 dB

General

Power consumption 25 W
 AC outlet 2: (Total 100 W max)
 (Australia 1 : (100 W max))
 Dimensions W : 400 mm
 H : 105 mm
 D : 382 mm
 Weight (net) 5.2 kg



1. KENWOOD follows a policy of continuous advancements in development. For this reason specifications may be changed without notice.
2. Full performance may not be exhibited in extremely cold locations (below 0 deg. C).

For C-V100 (Except U.S.A. and Canada)

Audio section

Total harmonic distortion (1 KHz, 1V) 0.01 %
 Signal to noise ratio (IHF66)
 CD 93 dB
 Input sensitivity / Impedance 200 mV / 47kΩ
 CD
 Tone controls
 BASS ± 8 dB (at 100 Hz)
 TREBLE ± 8 dB (at 10 KHz)
 Output level / Impedance 200 mV / 1 kΩ
 TAPE REC 200 mV / 1 kΩ

Video section

VIDEO inputs / outputs
 (composite) 1 Vp-p/75 Ω

FM Tuner section

Tuning frequency range 87.5 MHz~108 MHz
 Usable sensitivity
 MONO 1.6 μV (at 75 Ω) / 15.2 dBf
 (75 KHz dev., SINAD. 30 dB)
 50dB quieting sensitivity
 STEREO 31.6 μV (at 75 Ω) / 41.2 dBf
 (75 KHz dev.)
 Signal to noise ratio (1 KHz, 75 KHz dev.)
 MONO 75 dB (65.2 dBf input)
 STEREO 68 dB (65.2 dBf input)
 Selectivity (IHF ± 400 KHz) 50 dB
 Stereo separation (1 KHz) 40 dB
 Frequency response 30 Hz~15 KHz, + 0.5 dB, - 3.0 dB

AM Tuner section

Tuning frequency range (9 KHz) 531 KHz ~ 1,602 KHz
 (10 KHz) 530 KHz ~ 1,610 KHz
 Usable sensitivity
 (30% mod., S/N 20 dB) 16 μV / (600 μV / m)
 Signal to noise ratio
 (at 30% mod. 1mV input) 48 dB

General

Power consumption 25 W
 AC outlet 2: (Total 100 W max)
 (Australia 1 : (100 W max))
 Dimensions W : 400 mm
 H : 105 mm
 D : 382 mm
 Weight (net) 3.9 kg

C-V100/V150/V300/V350

SPECIFICATIONS

For C-V100 (U.S.A. and Canada)

Audio section

Total harmonic distortion (1 KHz, 1V) 0.01 %
 Signal to noise ratio (IHF 66)
 CD 93 dB
 Input sensitivity / Impedance 200 mV / 47kΩ
 CD
 Tone controls
 BASS ± 8 dB (at 100 Hz)
 TREBLE ± 8 dB (at 10 KHz)
 Output level / Impedance 200 mV / 1 kΩ
 TAPE REC 200 mV / 1 kΩ

Video section

VIDEO inputs / outputs
 (composite) 1 Vp-p/75 Ω

FM Tuner section

Tuning frequency range 87.5 MHz~108 MHz
 Usable sensitivity
 MONO 1.6 μV (at 75 Ω) / 15.2 dBf
 (75 KHz dev., SINAD. 30 dB)
 50dB quieting sensitivity
 STEREO 31.6 μV (at 75 Ω) / 41.2 dBf
 (75 KHz dev.)



1. KENWOOD follows a policy of continuous advancements in development. For this reason specifications may be changed without notice.
2. Full performance may not be exhibited in extremely cold locations (below 0 deg. C).

General

Component and circuit are subject to modification to insure best operation under differing local conditions. This manual is based on Europe (E) standard, and provides information on regional circuit modification through use of alternate schematic diagrams, and information on regional component variations through use of parts list.

SPECIFICATIONS

For C-V100 (U.S.A. and Canada)

Audio section

Signal to noise ratio (1 KHz, 75 KHz dev.)
 MONO 75 dB (65.2 dBf input)
 STEREO 68 dB (65.2 dBf input)
 Selectivity (IHF ± 400 KHz) 70 dB
 Stereo separation (1 KHz) 40 dB
 Frequency response 30 Hz~15 KHz, + 0.5 dB, - 3.0 dB

AM Tuner section

Tuning frequency range 530 KHz ~ 1,700 KHz
 Usable sensitivity
 (30% mod., S/N 20 dB) 16 μV / (600 μV / m)
 Signal to noise ratio
 (at 30% mod. 1mV input) 48 dB

Video section

VIDEO inputs / outputs
 (composite) 1 Vp-p/75 Ω

FM Tuner section

Tuning frequency range 87.5 MHz~108 MHz
 Usable sensitivity
 MONO 1.6 μV (at 75 Ω) / 15.2 dBf
 (75 KHz dev., SINAD. 30 dB)
 50dB quieting sensitivity
 STEREO 31.6 μV (at 75 Ω) / 41.2 dBf
 (75 KHz dev.)

Power consumption 25 W
 AC outlet 2 : (Total 100 W max)
 UN SWITCHED W : 400 mm (15-3/4")
 Dimensions H : 105 mm (4-1/8")
 D : 382 mm (15-1/16")
 Weight (net) 3.9 kg (8.6 lb)

KENWOOD CORPORATION

- 14-6 Dogenzaka 1-chome, Shibuya-ku, Tokyo, 150 Japan
KENWOOD SERVICE CORPORATION
 P.O. BOX 22745, 2201 East Dominguez St., Long Beach, CA 90801-5745, U.S.A.
KENWOOD ELECTRONICS CANADA INC.
 6070 Kestrel Road, Mississauga, Ontario, Canada L5T 1S8
KENWOOD ELECTRONICS LATIN AMERICA S.A.
 P.O. BOX 55-2791, Pico 6 plaza Cessa, Cl. 47 y Aquilino de la Guardia Panama, Republic de Panama
KENWOOD ELECTRONICS U.K. LIMITED
 KENWOOD House, Dwight Road, Watford, Herts., WD1 8EB., United Kingdom
KENWOOD ELECTRONICS BENELUX N.V.
 Meachelisesteenweg 418, B-1930 Zaventem, Belgium
KENWOOD ELECTRONICS DEUTSCHLAND GMBH
 Rembrücker Str. 15, 63150 Heusenstamm, Germany
KENWOOD ELECTRONICS FRANCE S.A.
 13 Boulevard Ney, 75018 Paris, France
KENWOOD ELECTRONICS ITALIA S.p.A.
 Via G. Sirtori, 7/9 20129, Milano, Italy
KENWOOD IBERICA S.A.
 Bolivia, 239-08020 Barcelona, Spain
KENWOOD ELECTRONICS AUSTRALIA PTY. LTD.
 (A.C.N. 001499 074)
 P.O. Box 504, 8 Figure Drive, Australia Centre, Homebush, N.S.W. 2140, Australia
KENWOOD & LEE ELECTRONICS, LTD.
 Unit 3712-3724, Level 37, Tower 1, Metroplaza, 223 Hing Fong Road, Kwai Fong N.T., Hong Kong
KENWOOD ELECTRONICS GULF FZE
 P.O. Box 61318, Jebel Ali, Dubai, U.A.E.
KENWOOD ELECTRONICS SINGAPORE PTE LTD.
 No. 1 Genting Lane #02-02, KENWOOD Building, Singapore, 349544
KENWOOD ELECTRONICS (MALAYSIA) SDN BHD.
 #4, 01 Level 4, Wisma Academy Lot 4A, Jalan 19/1, 46300 Petaling Jaya Selangor Darul Ehsan Malaysia